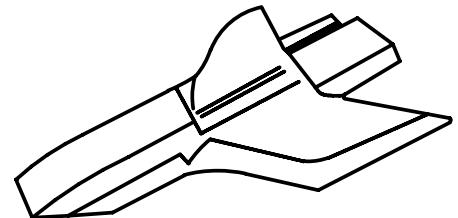


NORWEST RIPPER POINTS

JOHN DEERE RIPPER POINTS

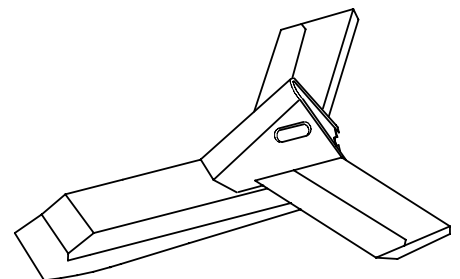
PART NUMBER	DESCRIPTION
RCHJ21507	JOHN DEERE RIPPER POINT W/HVY CHROME
RCHJ21507G	JOHN DEERE RIPPER POINT W/HVY CHROME & GUSSET
RCHJ21507IH	JOHN DEERE RIPPER POINT W/ I.H. CHROME
RCHJ21507IHG	JOHN DEERE RIPPER POINT W/ I.H. CHROME & GUSSET
RCHWJ21507	JOHN DEERE RIPPER POINT W/HVY. CHROME & WINGS
RCSJ21507	JOHN DEERE RIPPER POINT W/SHARK FIN CHROME
RCSWJ21507	JOHN DEERE RIPPER POINT W/SHARK FIN CHROME & WINGS
RPJ21507	JOHN DEERE RIPPER POINT PLAIN



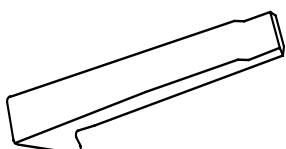
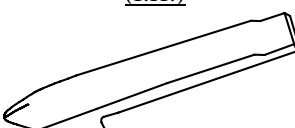
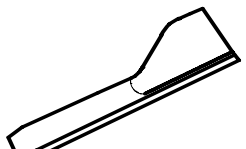
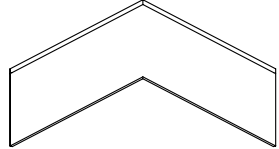
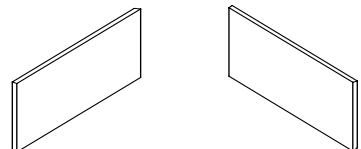
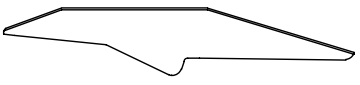
RCSJ21507

BRILLION RIPPER POINTS

PART NUMBER	DESCRIPTION
RCHB2510B2	BRILLION RIPPER POINT W/HVY. CHROME & SHIN GUARD SLOT
RCHB2510B2G	BRILLION RIPPER POINT W/HVY. CHROME, SHIN GUARD SLOT & GUSSET
RCSB2510B2	BRILLION RIPPER POINT W/SHARK FIN CHROME & SHIN GUARD SLOT
RCSB2510B2G	BRILLION RIPPER POINT W/SHARK FIN CHROME, SHIN GUARD SLOT, & GUSSET
RCWB2510B2	BRILLION RIPPER POINT W/HVY. CHROME, SHIN GUARD SLOT, & WINGS
RCWB2510B2G	BRILLION RIPPER POINT W/HVY. CHROME, SHIN GUARD SLOT, WINGS, & GUSSET
RPB2510B2	BRILLION RIPPER POINT W/SHIN GUARD SLOT - PLAIN



RCWB2510B2

<p><u>BLUNT NOSE CHROME (J.D.)</u></p> 	<p><u>PENETRATOR NOSE CHROME (I.H.)</u></p> 	<p><u>SHARK FIN CHROME</u></p> 
<p><u>1-PIECE WING FOR POINTS</u></p> 	<p><u>2-PIECE WING FOR POINTS</u></p> 	<p><u>GUSSET FOR RIPPER POINTS</u></p> 

****DMI 1 1/4" RIPPER POINTS****

PART NUMBER	DESCRIPTION
RCHDMI-125	DMI RIPPER POINT FOR 1 1/4" TIGER SHANK W/CHROME
RCWDMI-125	DMI RIPPER POINT FOR 1 1/4" TIGER SHANK W/CHROME & WINGS
RCWDMI-125H	DMI RIPPER POINT FOR 1 1/4" TIGER SHANK W/HEAVY CHROME & WINGS

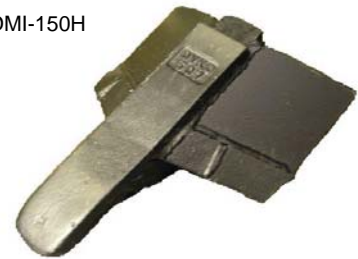


RCWDMI-125H

****DMI 1 1/2" RIPPER POINTS****

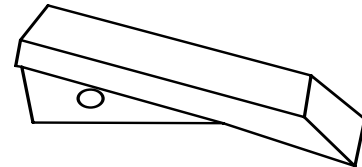
PART NUMBER	DESCRIPTION
RCHDMI-150	DMI RIPPER POINT FOR 1 1/2" TIGER SHANK W/CHROME
RCWDMI-150	DMI RIPPER POINT FOR 1 1/2" TIGER SHANK W/CHROME & WINGS
RCWDMI-150H	DMI RIPPER POINT FOR 1 1/2" TIGER SHANK W/HEAVY CHROME & WINGS

RCWDMI-150H



****BRILLION RIPPER POINTS FOR 1" POINTS****

PART NUMBER	DESCRIPTION
RCHB2509B2	BRILLION RIPPER POINT W/HEAVY CHROME FOR 1" SHANK
RCHB2509B2G	BRILLION RIPPER POINT W/HEAVY CHROME & GUSSET FOR 1" SHANK
RPB2509B2	BRILLION RIPPER POINT FOR 1" SHANK PLAIN



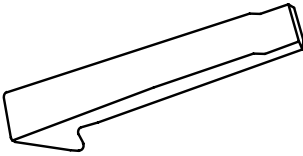
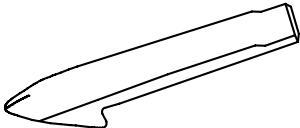
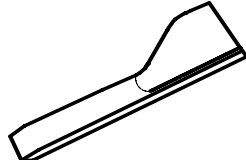
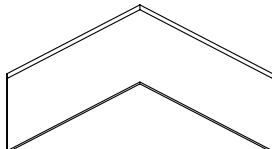
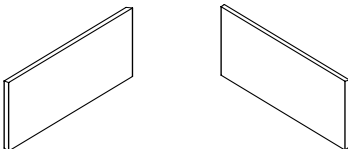

RPB2509B2

****BIG OX RIPPER POINTS****

PART NUMBER	DESCRIPTION
RC2D-5	BIG OX RIPPER POINT W/FLAT BEVELED CHROME & PENGU POINT
RCH2D-5	BIG OX RIPPER POINT W/HEAVY CHROME & PENGU POINT
RP2D-5	BIG OX RIPPER POINT - PLAIN

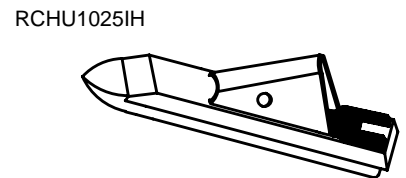
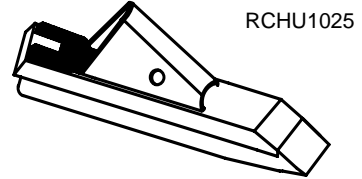


RP2D-5

<u>BLUNT NOSE CHROME (J.D.)</u> 	<u>PENETRATOR NOSE CHROME (I.H.)</u> 	<u>SHARK FIN CHROME</u> 
<u>1-PIECE WING FOR POINTS</u> 	<u>2-PIECE WING FOR POINTS</u> 	<u>GUSSET FOR RIPPER POINTS</u> 

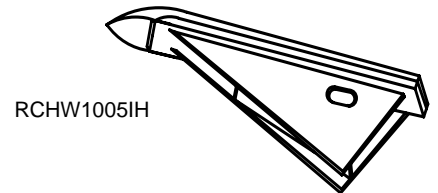
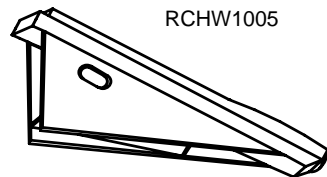
****CPC RIPPER POINTS****

PART NUMBER	DESCRIPTION
RCHU1025	UNDERFERTH CPC MULTI-USE RIPPER POINT W/ J.D. CHROME
RCHU1025G	UNDERFERTH CPC MULTI-USE RIPPER POINT W/ J.D. CHROME & GUSSET
RCHU1025IH	UNDERFERTH CPC MULTI-USE RIPPER POINT W/ I.H. CHROME
RCHU1025IHG	UNDERFERTH CPC MULTI-USE RIPPER POINT W/ I.H. CHROME & GUSSET
RCWU1025	UNDERFERTH CPC MULTI-USE RIPPER POINT W/ J.D. CHROME & WINGS
RCWU1025IHG	UNDERFERTH CPC MULTI-USE RIPPER POINT W/ I.H. CHROME, WINGS, & GUSSET
RPHU1025	UNDERFERTH CPC MULTI-USE RIPPER POINT - PLAIN



****WATTS RIPPER POINTS****

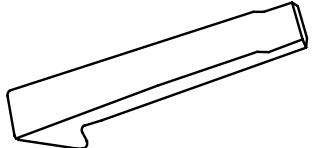

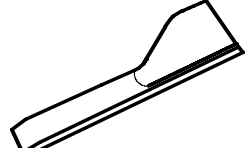
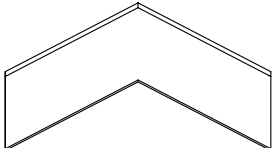
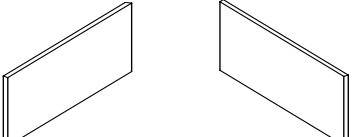

PART NUMBER	DESCRIPTION
RCHW1005	WATTS RIPPER POINT W/ HEAVY CHROME FOR 1 1/4" RIPPER
RCHW1005IH	WATTS RIPPER POINT W/ HEAVY I.H. CHROME FOR 1 1/4" RIPPER
RCHW1005IHG	WATTS RIPPER POINT W/ HEAVY I.H. CHROME & GUSSET FOR 1 1/4" RIPPER
RCSW1005	WATTS RIPPER POINT W/ SHARK FIN CHROME FOR 1 1/4" RIPPER
RCSWW1005	WATTS RIPPER POINT W/ SHARK FIN CHROME & WINGS FOR 1 1/4" RIPPER



****BIG ED RIPPER POINTS****

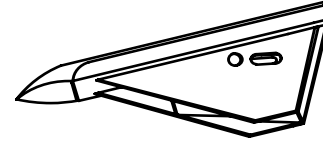
PART NUMBER	DESCRIPTION
RCHB3420	BIG ED RIPPER POINT W/ HEAVY CHROME
RPB3420	BIG ED RIPPER POINT - PLAIN



<u>BLUNT NOSE CHROME (J.D.)</u> 	<u>PENETRATOR NOSE CHROME (I.H.)</u> 	<u>SHARK FIN CHROME</u> 
<u>1-PIECE WING FOR POINTS</u> 	<u>2-PIECE WING FOR POINTS</u> 	<u>GUSSET FOR RIPPER POINTS</u> 

****CASE IH #14 RIPPER POINTS****

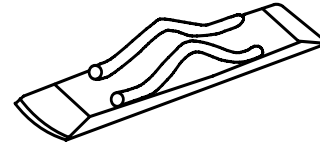
PART NUMBER	DESCRIPTION
RCHC14G	INTERNATIONAL CASE #14 RIPPER POINT WITH I.H. CHROME & GUSSET
RCHC14X	INTERNATIONAL CASE #14 RIPPER POINT W/ CHROME
RCSC14X	INTERNATIONAL CASE #14 RIPPER POINT W/ SHARK FIN CHROME
RCSW14X	INTERNATIONAL CASE #14 RIPPER POINT W/SHARK FIN CHROME & WINGS
RPC14	INTERNATIONAL CASE #14 RIPPER POINT - PLAIN



RCHC14X

****CASE IH #10 RIPPER POINTS****

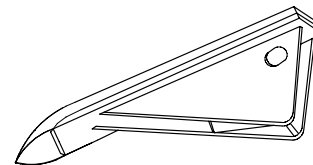
PART NUMBER	DESCRIPTION
RCHC10	CASE IH #10 RIPPER POINT W/CHROME SLAB
RCHC10HD	CASE IH #10 RIPPER POINT W/HEAVY CHROME SLAB
RHHD10	CASE IH #10 RIPPER POINT FOR 1" SHANK HARDFACED
RHHHD10	CASE IH #10 AND M & W RIPPER POINT FOR 1 1/4" SHANK HARDFACED
RPHD10	CASE IH #10 RIPPER POINT FOR 1" SHANK - PLAIN
RPHHD10	CASE IH #10 AND M & W RIPPER POINT FOR 1 1/4" SHANK - PLAIN



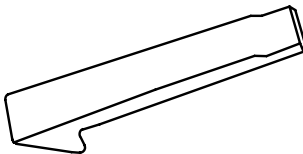

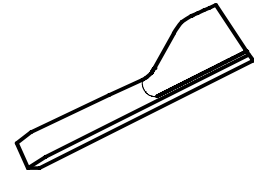
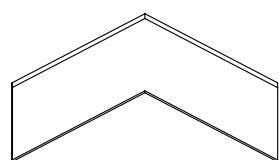
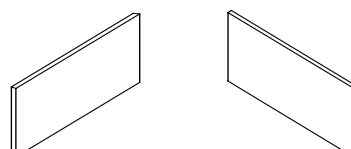
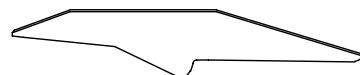
RPHD10

****TYE RIPPER POINTS****

PART NUMBER	DESCRIPTION
RCHT559	TYE RIPPER POINT W/HEAVY CHROME
RCHT559G	TYE RIPPER POINT W/HEAVY CHROME AND GUSSET

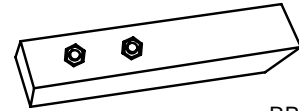


RCHT559

<p><u>BLUNT NOSE CHROME (J.D.)</u></p> 	<p><u>PENETRATOR NOSE CHROME (I.H.)</u></p> 	<p><u>SHARK FIN CHROME</u></p> 
<p><u>1-PIECE WING FOR POINTS</u></p> 	<p><u>2-PIECE WING FOR POINTS</u></p> 	<p><u>GUSSET FOR RIPPER POINTS</u></p> 

****JOHN DEERE RIPPER POINTS****

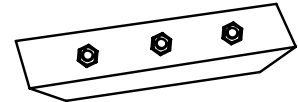
PART NUMBER	DESCRIPTION
RCHJ17994	JOHN DEERE RIPPER POINT W/HEAVY CHROME
RPJ17994	JOHN DEERE RIPPER POINT - PLAIN



RPJ17994

****J. D. REVERSIBLE RIPPER POINTS****

PART NUMBER	DESCRIPTION
RCHJ39906	JOHN DEERE REVERSIBLE RIPPER POINT 1" x 2 1/2" x 14" W/ CHROME
RPJ39906	JOHN DEERE REVERSIBLE RIPPER POINT 1" x 2 1/2" x 14" - PLAIN



RPJ39906

****WATTS RIPPER POINTS****

PART NUMBER	DESCRIPTION
RCHW17994	RIPPER POINT W/HEAVY CHROME FOR J.D., WATTS, & DAMMER DIKER
RPW17994	WATTS RIPPER POINT - USES PLOWBOLTS PLAIN

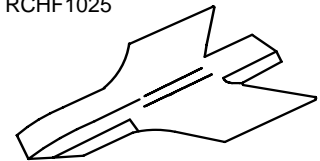


RCHW17994

****SUNFLOWER RIPPER POINTS****

PART NUMBER	DESCRIPTION
RCHF1025	SUNFLOWER RIPPER POINT WITH HEAVY CHROME AND WINGS

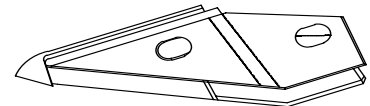
RCHF1025

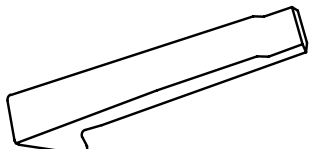
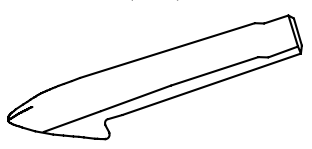
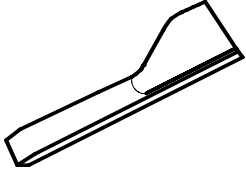
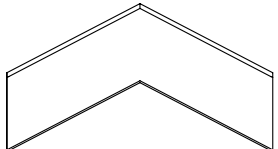
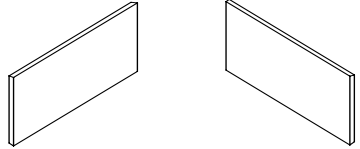



****WILRICH RIPPER POINTS****

PART NUMBER	DESCRIPTION
RCHWR3420	WILRICH RIPPER POINT W/CHROME

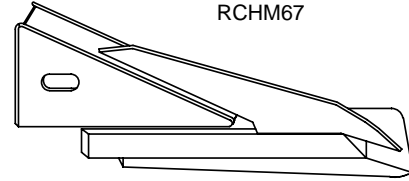
RCHWR3420



<p><u>BLUNT NOSE CHROME (J.D.)</u></p> 	<p><u>PENETRATOR NOSE CHROME (L.H.)</u></p> 	<p><u>SHARK FIN CHROME</u></p> 
<p><u>1-PIECE WING FOR POINTS</u></p> 	<p><u>2-PIECE WING FOR POINTS</u></p> 	<p><u>GUSSET FOR RIPPER POINTS</u></p> 

****MISKIN RIPPER POINTS****

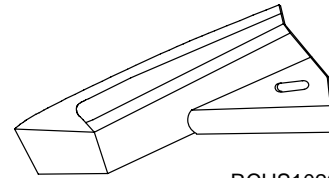
PART NUMBER	DESCRIPTION
RCHM67	MISKIN RIPPER POINT WITH HEAVY CHROME AND GUSSET



RCHM67

****BIG ED RIPPER POINTS****

PART NUMBER	DESCRIPTION
RCHS1020	RIPPER POINT WITH HEAVY CHROME FOR 1 1/4" BIG ED



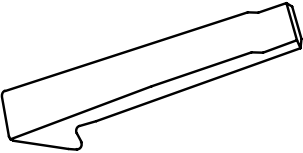
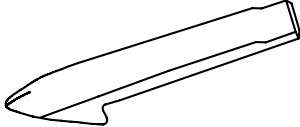
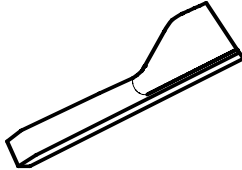
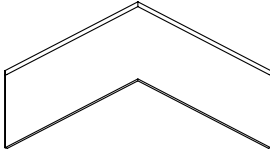
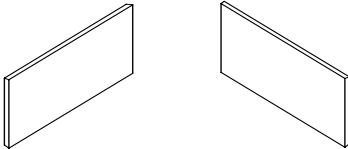

RCHS1020

****WILCOX RIPPER POINTS****

PART NUMBER	DESCRIPTION
RCHW10067	WILCOX RIPPER POINT WITH HEAVY CHROME AND GUSSET



RCHW10067

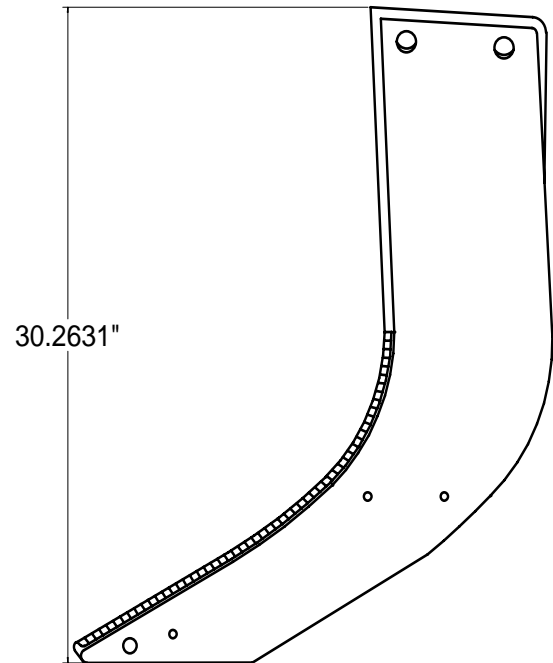
<p><u>BLUNT NOSE CHROME (J.D.)</u></p> 	<p><u>PENETRATOR NOSE CHROME (I.H.)</u></p> 	<p><u>SHARK FIN CHROME</u></p> 
<p><u>1-PIECE WING FOR POINTS</u></p> 	<p><u>2-PIECE WING FOR POINTS</u></p> 	<p><u>GUSSET FOR RIPPER POINTS</u></p> 

NORWEST RIPPER SHANKS

****RS-J2406 – JD 900V 1 ¼" T1 RIPPER SHANK
PLAIN**

****RSC-J2406 – JD 900V 1 ¼" T1 RIPPER SHANK
WITH CHROME SHIN GUARD**

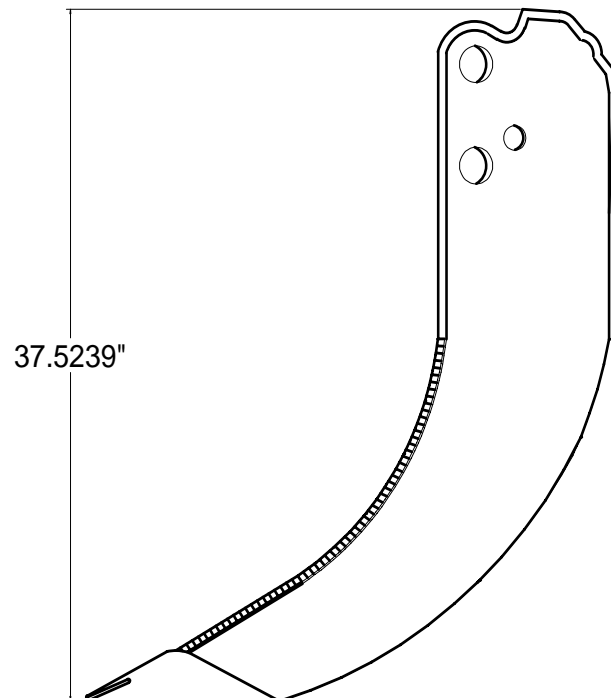
****RSCP-J2406 – JD 900V 1 ¼" T1 RIPPER SHANK
WITH CHROME SHIN GUARD
AND CHROME POINT**



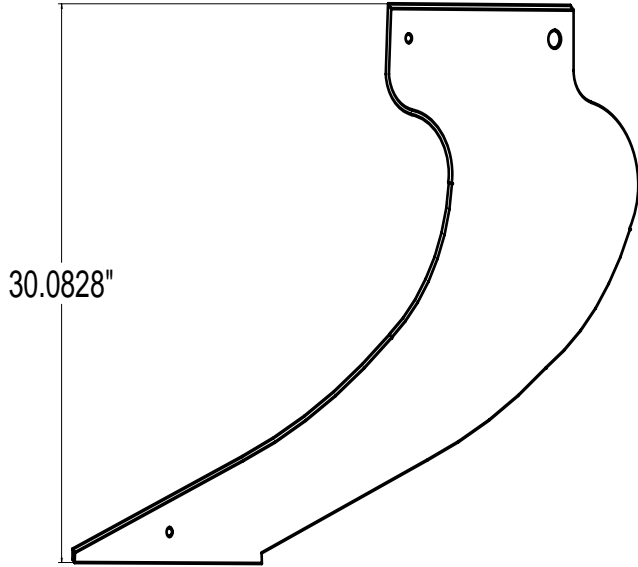
****RS-OX42 – BIG OX 1" T1 RIPPER SHANK
PLAIN**

****RSC-OX42 – BIG OX 1" T1 RIPPER SHANK
WITH CHROME SHIN GUARD**

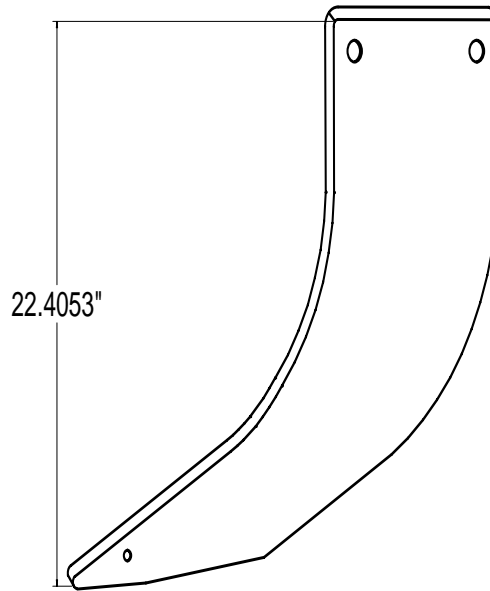
****RSCP-OX42 – BIG OX 1" T1 RIPPER SHANK
WITH CHROME SHIN GUARD
AND CHROME POINT**



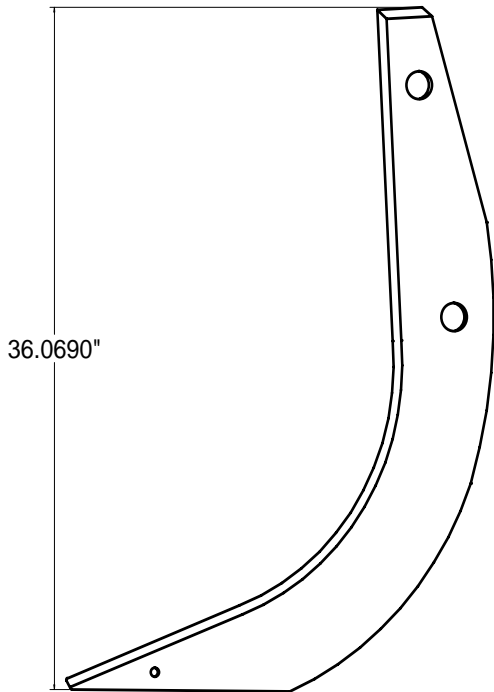
**RS-M125 – REPLACEMENT RIPPER SHANK
FOR 1 ¼" MISKIN RIPPER**
**RSC-M125 – REPLACEMENT RIPPER
SHANK FOR 1 ¼" MISKIN
RIPPER W/CHROME EDGING**



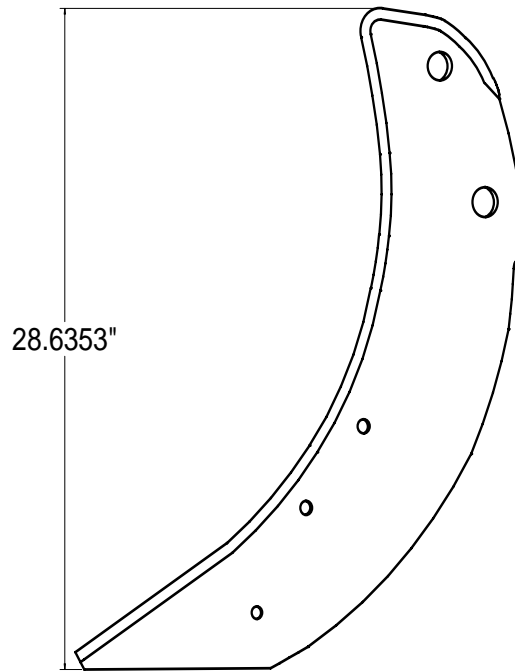
**RS131639C1 – RIPPER SHANK FOR OLD
STYLE 1 ¼" # 14 CASE**



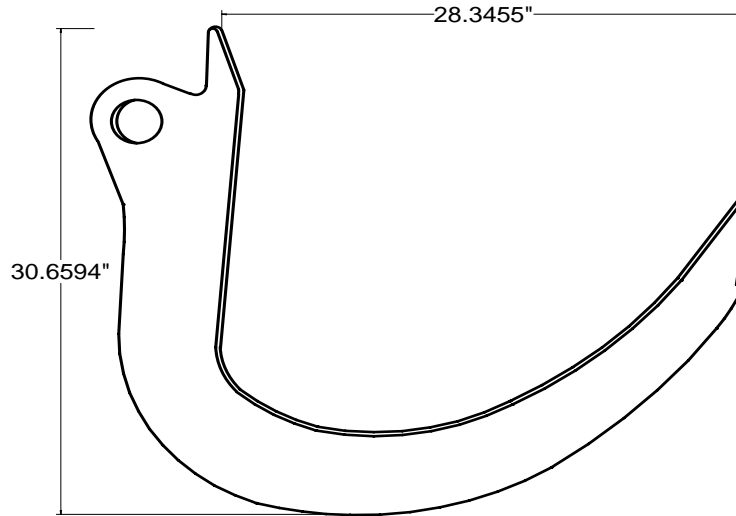
**RS92618 – CPC BRENT 1 ¼" RIPPER
SHANK**



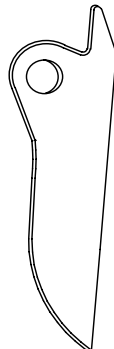
**RS9983476 – REPLACEMENT 1 ½" REAR
SHANK FOR DMI**



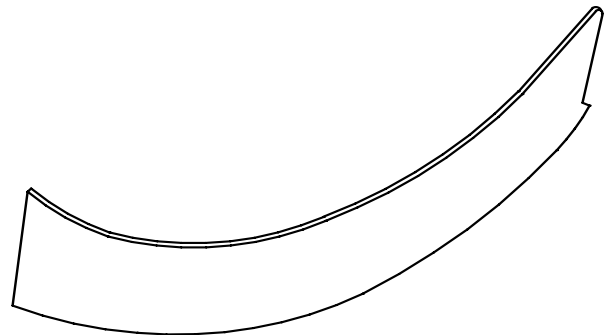
REPLACEMENT RIPPER SHANK FOR WATTS RIPPER – 1 ¼" T1



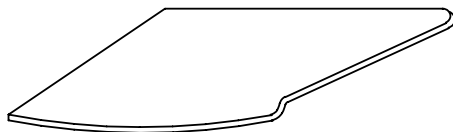
REPLACEMENT FOR TOP HALF OF WATTS RIPPER – 1 ¼" T1



REPLACEMENT FOR BOTTOM HALF OF WATTS RIPPER – 1 ¼" T1



REPLACEMENT TIP FOR WATTS RIPPER SHANK – 1 ¼" T1



REPLACEMENT EAR FOR WATTS RIPPER 1" T1



****MOUNTING ARM ASSEMBLIES ALSO AVAILABLE IN RIGHT HAND, CENTER, AND LEFT HAND PLEASE SPECIFY WHEN ORDERING****