



NORWEST

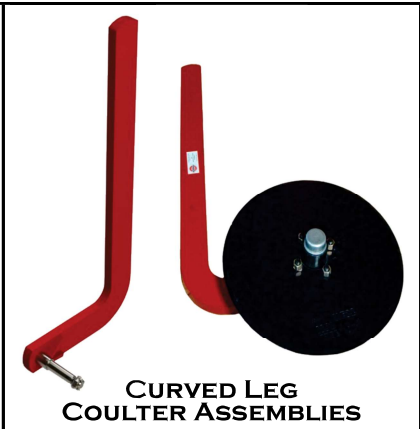
MANUFACTURING

71 SOUTH 215 WEST-RUPERT, ID- PHONE: (208) 436-1770 - FAX: (208) 436-1776

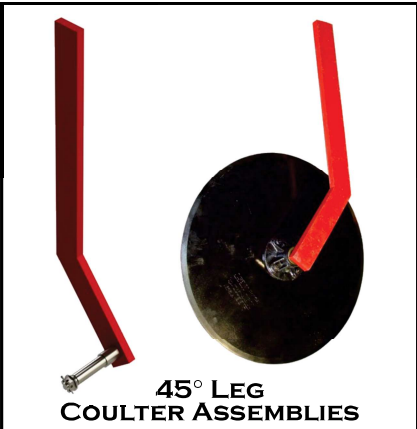
SECTION 200 -30 COULTER ASSEMBLIES & GUIDE WHEELS



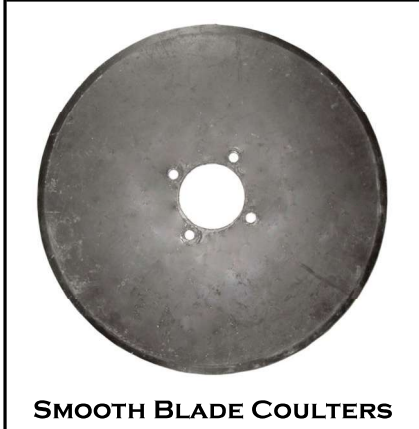
STRAIGHT LEG
COULTER ASSEMBLIES



CURVED LEG
COULTER ASSEMBLIES



45° LEG
COULTER ASSEMBLIES



SMOOTH BLADE COULTERS



NORWEST

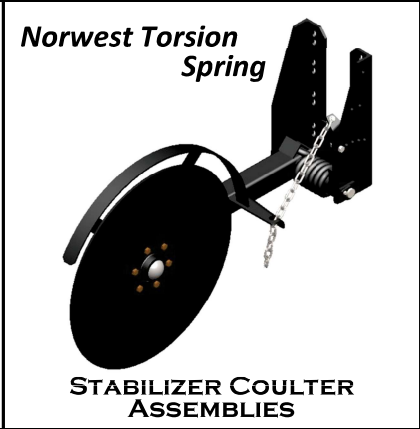
MANUFACTURING



NOTCHED BLADE COULTERS

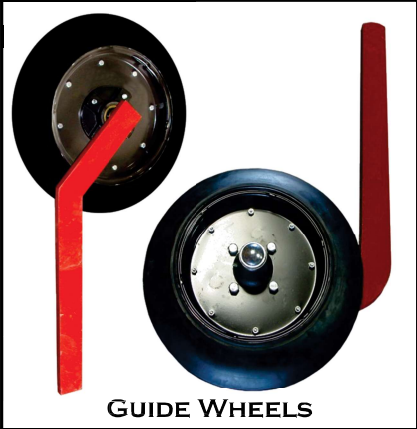


NORWEST FLUTED COULTER
ASSEMBLIES



*Norwest Torsion
Spring*

STABILIZER COULTER
ASSEMBLIES



GUIDE WHEELS

Straight Leg Coulter Assemblies

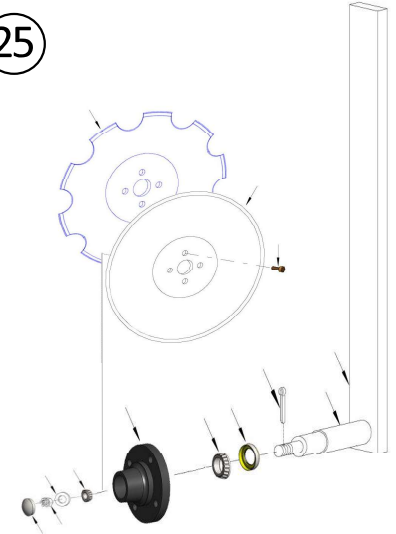


Straight Leg Coulter Blade Series

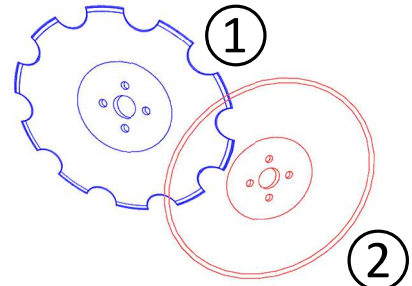
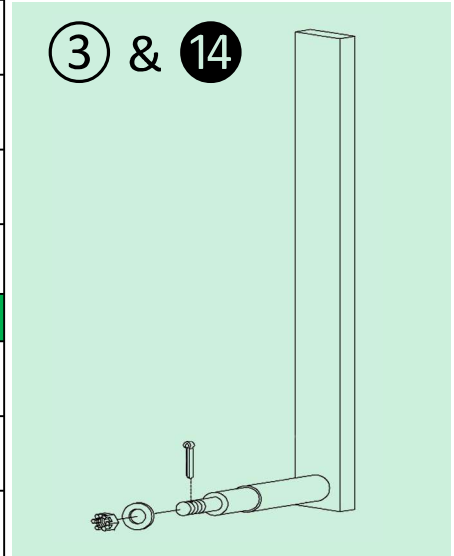
Coulter Blades options:
① = Notched and ② = Smooth

| COMPLETE PART NUMBER ⑫ | DESCRIPTION | LEG W/SPINDLE ONLY (Less Hub & Blade) ⑬ & ⑭ | SPINDLE PART NUMBER | HUB PART NUMBER | BLADE DIAMETER | BLADE PART NUMBER |
|-------------------------------|---------------------|---|---------------------|-----------------|----------------|-------------------|
| 5/8" x 2" MATERIAL | | | | | | |
| G58-S16 | 5/8" X 2" X 32" | G633SL-580 | GQ-633S | GQ-633H | 16" | DSR1645 |
| G58-S18 | 5/8" X 2" X 32" | G633SL-580 | GQ-633S | GQ-633H | 18" | DSR1860 |
| G58-S20 | 5/8" X 2" X 32" | G633SL-580 | GQ-633S | GQ-633H | 20" | DSR2050 |
| G58-S22 | 5/8" X 2" X 32" | G633SL-580 | GQ-633S | GQ-633H | 22" | DSR2250 |
| 3/4" x 2-1/2" MATERIAL | | | | | | |
| G34-S16 | 3/4" X 2-1/2" X 34" | G633SL-340 | GQ-633S | GQ-633H | 16" | DSR1645 |
| G34-S18 | 3/4" X 2-1/2" X 34" | G633SL-340 | GQ-633S | GQ-633H | 18" | DSR1860 |
| G34-S20 | 3/4" X 2-1/2" X 34" | G633SL-340 | GQ-633S | GQ-633H | 20" | DSR2050 |
| G34-S22 | 3/4" X 2-1/2" X 34" | G633SL-340 | GQ-633S | GQ-633H | 22" | DSR2250 |
| G34-S24 | 3/4" X 2-1/2" X 34" | G633SL-340 | GQ-633S | GQ-633H | 24" | DSR2460 |
| 1" x 3" MATERIAL | | | | | | |
| G1-S16H | 1" X 3" X 36" | G633SL-300 | GQ-633S | GQ-633H | 16" | DSR1645 |
| G1-S18H | 1" X 3" X 36" | G633SL-300 | GQ-633S | GQ-633H | 18" | DSR1860 |
| G1-S20H | 1" X 3" X 36" | G633SL-300 | GQ-633S | GQ-633H | 20" | DSR2050 |
| G1-S22H | 1" X 3" X 36" | G633SL-300 | GQ-633S | GQ-633H | 22" | DSR2250 |
| G1-S24H | 1" X 3" X 36" | G633SL-300 | GQ-633S | GQ-633H | 24" | DSR2460 |
| G1-S26H | 1" X 3" X 36" | G633SL-300 | GQ-633S | GQ-633H | 26" | DSR2680 |
| G1-S28H | 1" X 3" X 36" | G633SL-300 | GQ-633S | GQ-633H | 28" | DSR2880 |
| G1-S30H | 1" X 3" X 36" | G888SL-300H | GQ-888S | GQ-888H | 30" | DSR3080 |

⑫



⑬ & ⑭



Please Note: Blades 30" & larger will be made with a heavier hub (GQ-888H) & spindle (GQ-888S).

Straight Leg Coupler Blade Series with **633** Hub & Spindle or **888** Hub & Spindle Component Parts List

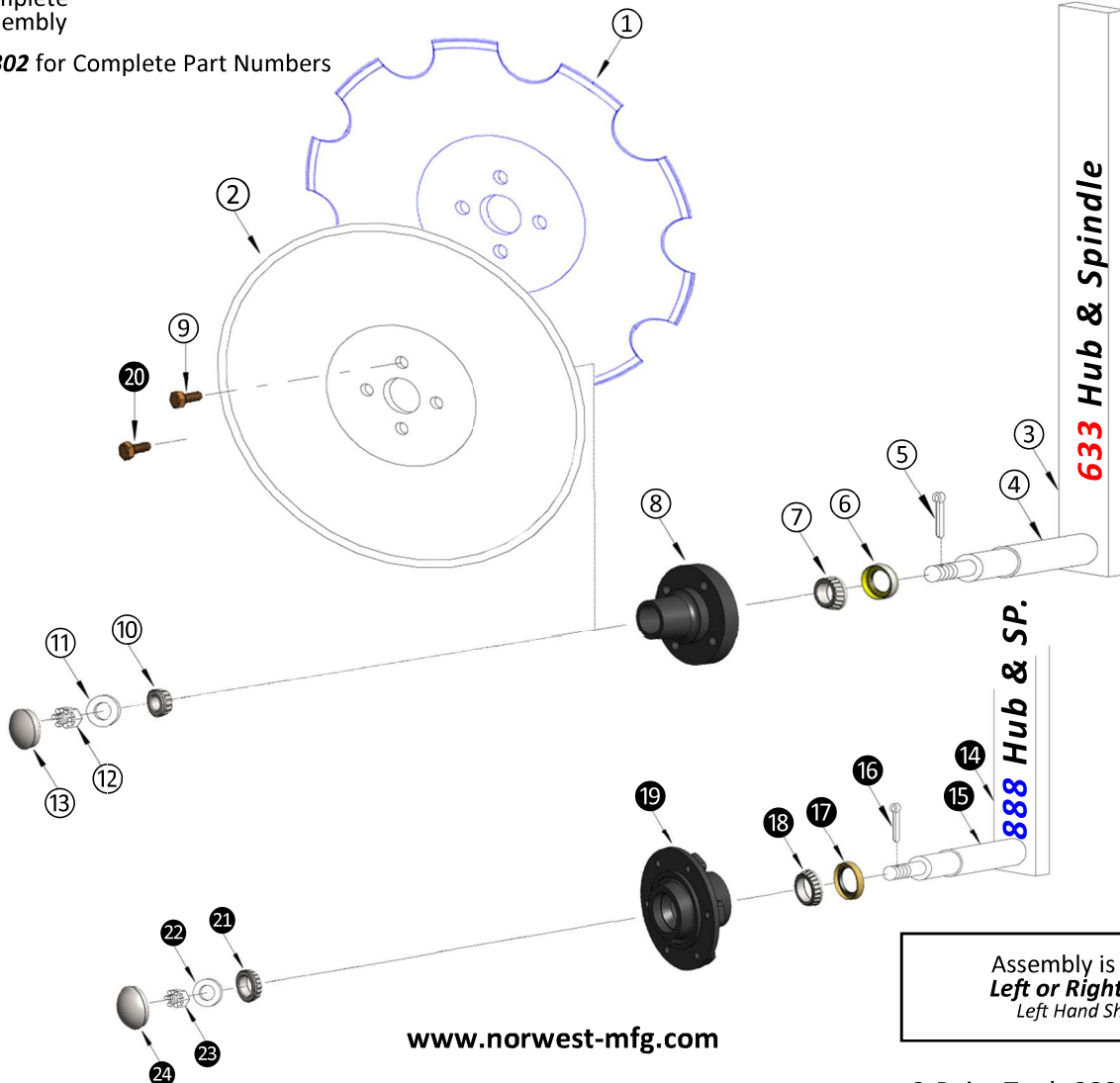
| REF. # | DESCRIPTION | PART NUMBER | Industry Standard # | REQ. PCS. | REF. # | DESCRIPTION | PART NUMBER | Industry Standard # | REQ. PCS. |
|--------|-------------------------------------|--|---------------------|-----------|--------|---|-------------|---------------------|-----------|
| ① | Notched Coupler Blade | As Ordered | | 1 | ⑬ | Dust Cap | 909911A | 1527 | 1 |
| ② | Smooth Coupler Blade | | | 1 | ⑭ | Straight Leg with 888 Hub & Spindle (For Couplers 30" & Larger only) | G888SL-300H | | 1 |
| ③ | Straight Leg with 633 Hub & Spindle | G633SL-580 G633SL-340 G633SL-300 | | 1 | ⑮ | Spindle Complete | GQ-888S | 280743 | 1 |
| ④ | Spindle Complete | GQ-633S | 280741 | 1 | ⑯ | Cotter Pin | 905936 | 905936 | 1 |
| ⑤ | Cotter Pin | 905936 | 905936 | 1 | ⑰ | Seal | 906284 | 16289 | 1 |
| ⑥ | Seal | 906296 | 14975 | 1 | ⑱ | Inner Bearing | 910264 | JL69349 | 1 |
| ⑦ | Inner Bearing | 910259 | LM67048 | 1 | ⑲ | Hub Complete* | GQ-888H | 280550 | 1 |
| ⑧ | Hub Complete* | GQ-633H | 280500 | 1 | ⑳ | Lug Bolt | 943549 | 943549 | 6 |
| ⑨ | Lug Bolt | 943549 | 943549 | 4 | ㉑ | Outer Bearing | 910259 | LM67048 | 1 |
| ⑩ | Outer Bearing | 910260 | LM11949 | 1 | ㉒ | Flat Washer | 913683 | 913683 | 1 |
| ⑪ | Flat Washer | 913608 | 913608 | 1 | ㉓ | Castle Nut | 912952 | 912952 | 1 |
| ⑫ | Castle Nut | 912954 | 912954 | 1 | ㉔ | Dust Cap | 909905 | 1604 | 1 |

** See Section 300-Blades: Pages 16 & 17 for Coupler Options • * See Section 200-40 for Hub & Spindle Breakdowns

Complete part numbers come with leg, spindle, blade, and other associated parts (above). Couplers are for moderate to heavy soil applications. Legs are made from heavy duty plow steel. ♦ Please order clamps separately. ♦ For different blade size or thickness, please specify when ordering.

⑫ Complete Assembly

See Pg. 200-302 for Complete Part Numbers



Assembly is Either
Left or Right Hand
Left Hand Shown

www.norwest-mfg.com

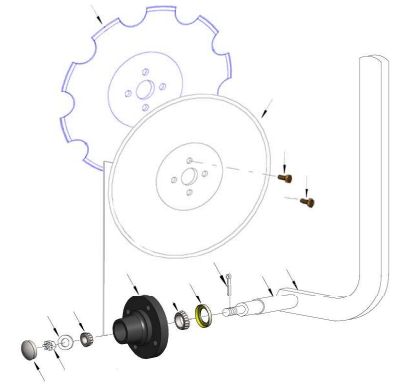
Curved Leg Coulter Assemblies



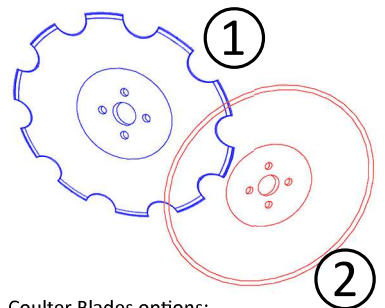
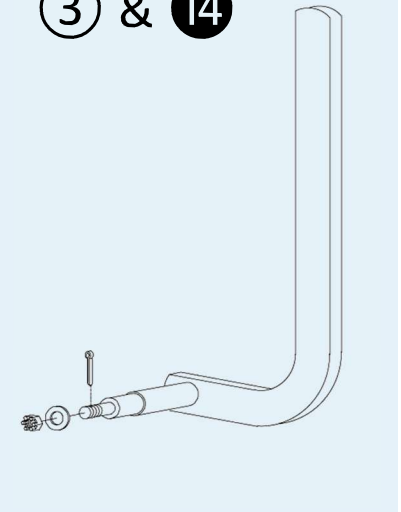
Curved Leg Coulter Blade Series Right & Left Hand Legs: (Suffix) L = Left Hand \diamond R = Right Hand

| COMPLETE PART NUMBER ②⑤ | DESCRIPTION | LEG W/SPINDLE ONLY (Less Hub & Blade) ③ & ⑭ | SPINDLE PART NUMBER | HUB PART NUMBER | BLADE DIAMETER | BLADE PART NUMBER |
|-------------------------------|---------------------------|--|---------------------|-----------------|----------------|-------------------|
| 5/8" x 2" MATERIAL | | | | | | |
| G58-S16L | 5/8" x 2" x 36" Left | G633LL-580 | GQ-633S | GQ-633H | 16" | DSR1645 |
| G58-S16R | 5/8" x 2" x 36" Right | G633LR-580 | | | | DSR16345 |
| G58-S18L | 5/8" x 2" x 36" Left | G633LL-580 | GQ-633S | GQ-633H | 18" | DSR1860 |
| G58-S18R | 5/8" x 2" x 36" Right | G633LR-580 | | | | DSR1860 |
| G58-S20L | 5/8" x 2" x 36" Left | G633LL-580 | GQ-633S | GQ-633H | 20" | DSR2050 |
| G58-S20R | 5/8" x 2" x 36" Right | G633LR-580 | | | | DSR2050 |
| G58-S22L | 5/8" x 2" x 36" Left | G633LL-580 | GQ-633S | GQ-633H | 22" | DSR2250 |
| G58-S22R | 5/8" x 2" x 36" Right | G633LR-580 | | | | DSR2250 |
| 3/4" x 2-1/2" MATERIAL | | | | | | |
| G34-S16L | 3/4" x 2-1/2" x 36" Left | G633LL-340 | GQ-633S | GQ-633H | 16" | DSR1645 |
| G34-S16R | 3/4" x 2-1/2" x 36" Right | G633LR-340 | | | | DSR1645 |
| G34-S18L | 3/4" x 2-1/2" x 36" Left | G633LL-340 | GQ-633S | GQ-633H | 18" | DSR1860 |
| G34-S18R | 3/4" x 2-1/2" x 36" Right | G633LR-340 | | | | DSR1860 |
| G34-S20L | 3/4" x 2-1/2" x 36" Left | G633LL-340 | GQ-633S | GQ-633H | 20" | DSR2050 |
| G34-S20R | 3/4" x 2-1/2" x 36" Right | G633LR-340 | | | | DSR2050 |
| G34-S22L | 3/4" x 2-1/2" x 36" Left | G633LL-340 | GQ-633S | GQ-633H | 22" | DSR2260 |
| G34-S22R | 3/4" x 2-1/2" x 36" Right | G633LR-340 | | | | DSR2260 |
| G34-S24L | 3/4" x 2-1/2" x 36" Left | G633LL-340 | GQ-633S | GQ-633H | 24" | DSR2460 |
| G34-S24R | 3/4" x 2-1/2" x 36" Right | G633LR-340 | | | | DSR2460 |

②⑤



③ & ⑭



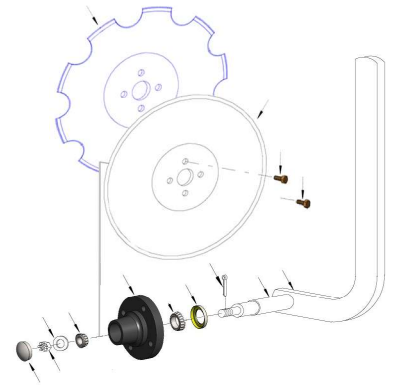
Coulter Blades options:
① = Notched and ② = Smooth

Curved Leg Coultter Blade Series

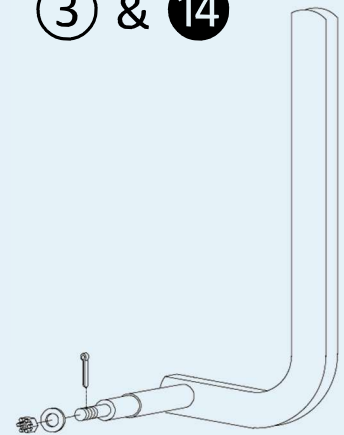
Right & Left Hand Legs: (Suffix) L = Left Hand ◊ R = Right Hand

| COMPLETE PART NUMBER 25 | DESCRIPTION | LEG W/SPINDLE ONLY (Less Hub & Blade) 3 & 14 | SPINDLE PART NUMBER | HUB PART NUMBER | BLADE DIAMETER | BLADE PART NUMBER |
|--|---------------------|---|---------------------|-----------------|----------------|-------------------|
| 1" x 3" MATERIAL | | | | | | |
| G1-S16L | 1" x 3" x 36" Left | G633LL-300 | GQ-633S | GQ-633H | 16" | DSR1645 |
| G1-S16R | 1" x 3" x 36" Right | G633LR-300 | | | | DSR1645 |
| G1-S18L | 1" x 3" x 36" Left | G633LL-300 | GQ-633S | GQ-633H | 18" | DSR1860 |
| G1-S18R | 1" x 3" x 36" Right | G633LR-300 | | | | DSR1860 |
| G1-S20L | 1" x 3" x 36" Left | G633LL-300 | GQ-633S | GQ-633H | 20" | DSR2050 |
| G1-S20R | 1" x 3" x 36" Right | G633LR-300 | | | | DSR2050 |
| G1-S22HL | 1" x 3" x 36" Left | G633LL-300 | GQ-633S | GQ-633H | 22" | DSR2250 |
| G1-S22HR | 1" x 3" x 36" Right | G633LR-300 | | | | DSR2250 |
| G1-S24HL | 1" x 3" x 36" Left | G633LL-300 | GQ-633S | GQ-633H | 24" | DSR2460 |
| G1-S24HR | 1" x 3" x 36" Right | G633LR-300 | | | | DSR2460 |
| G1-S26HL | 1" x 3" x 36" Left | G633LL-300 | GQ-633S | GQ-633H | 26" | DSR2680 |
| G1-S26HR | 1" x 3" x 36" Right | G633LR-300 | | | | DSR2680 |
| G1-S28HL | 1" x 3" x 36" Left | G633LL-300 | GQ-633S | GQ-633H | 28" | DSR2880 |
| G1-S28HR | 1" x 3" x 36" Right | G633LR-300 | | | | DSR2880 |
| G1-S30HL | 1" x 3" x 36" Left | G888LL-300H | GQ-888S | GQ-888H | 30" | DSR3080 |
| G1-S30HR | 1" x 3" x 36" Right | G888LR-300H | | | | DSR3080 |

25

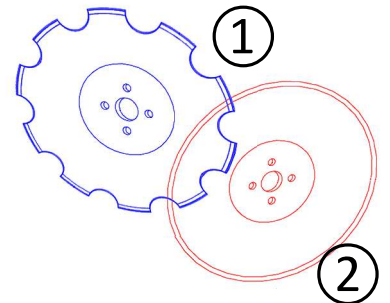


3 & 14



1

2



Coultter Blades options:
1 = Notched and 2 = Smooth

Please Note: Blades 30" & larger will be made with a heavier hub (GQ-888H) & spindle (GQ-888S).

Complete part numbers come with leg, spindle, blade, and other associated parts (Pg. 200-306).
 Coultters are for moderate to heavy soil applications. Legs are made from heavy duty plow steel. ◊ Please order clamps separately. ◊
 For different blade size or thickness, please specify when ordering.

Curved Leg Coupler Blade Series with 633 Hub & Spindle or 888 Hub & Spindle Component Parts List

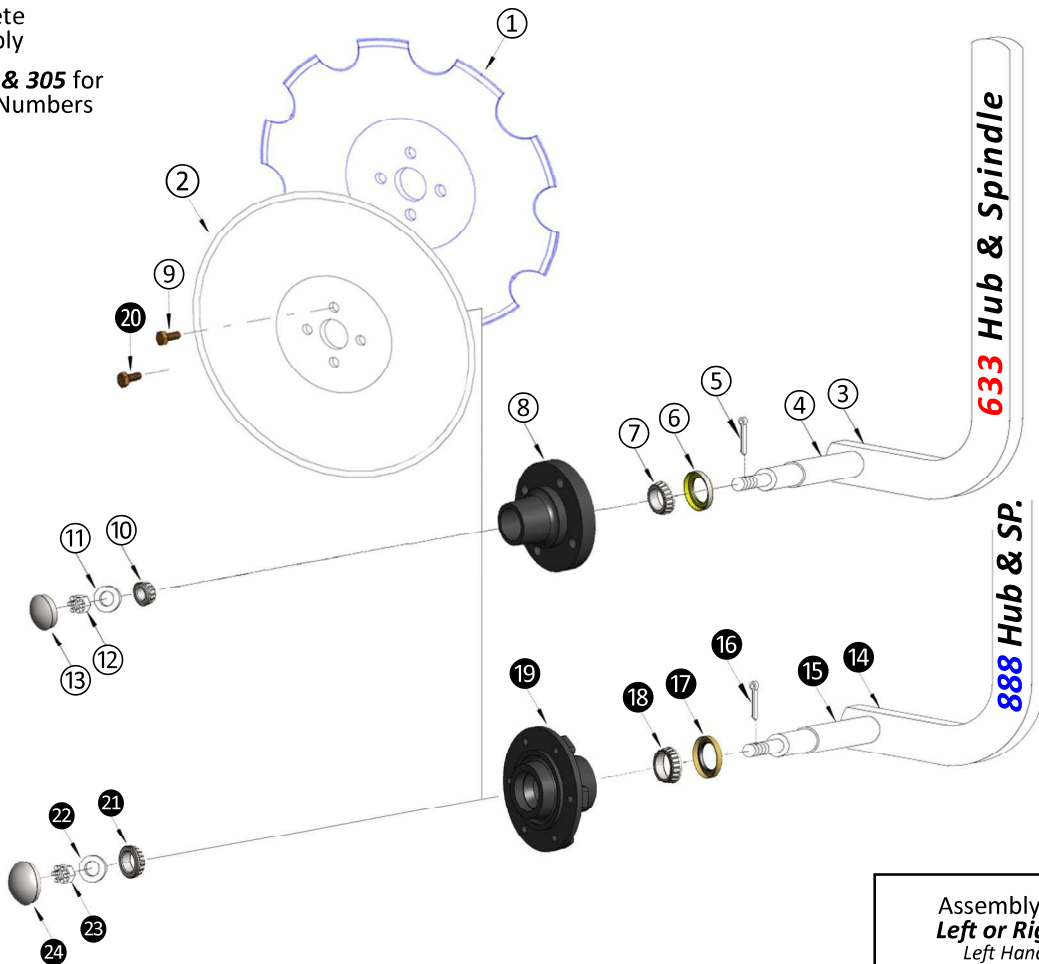
| REF. # | DESCRIPTION | PART NUMBER | Industry Standard # | REQ. PCS. | REF. # | DESCRIPTION | PART NUMBER | Industry Standard # | REQ. PCS. |
|--------|-----------------------------------|---|---------------------|-----------|--------|---|----------------------------|---------------------|-----------|
| ① | Notched Coupler Blade | As Ordered | | 1 | ⑬ | Dust Cap | 909911A | 1527 | 1 |
| ② | Smooth Coupler Blade | | | 1 | ⑭ | Curved Leg with 888 Hub & Spindle (For Coulters 30" & Larger only) | G888LL-300H G888LR-300H | | 1 |
| ③ | Curved Leg with 633 Hub & Spindle | G633LL/LR-580 G633LL/LR-340 G633LL/LR-300 | | 1 | ⑮ | Spindle Complete | GQ-888S | 280743 | 1 |
| ④ | Spindle Complete | GQ-633S | 280741 | 1 | ⑯ | Cotter Pin | 905936 | 905936 | 1 |
| ⑤ | Cotter Pin | 905936 | 905936 | 1 | ⑰ | Seal | 906284 | 16289 | 1 |
| ⑥ | Seal | 906296 | 14975 | 1 | ⑱ | Inner Bearing | 910264 | JL69349 | 1 |
| ⑦ | Inner Bearing | 910259 | LM67048 | 1 | ⑲ | Hub Complete* | GQ-888H | 280550 | 1 |
| ⑧ | Hub Complete* | GQ-633H | 280500 | 1 | ⑳ | Lug Bolt | 943549 | 943549 | 6 |
| ⑨ | Lug Bolt | 943549 | 943549 | 4 | ㉑ | Outer Bearing | 910259 | LM67048 | 1 |
| ⑩ | Outer Bearing | 910260 | LM11949 | 1 | ㉒ | Flat Washer | 913683 | 913683 | 1 |
| ⑪ | Flat Washer | 913608 | 913608 | 1 | ㉓ | Castle Nut | 912952 | 912952 | 1 |
| ⑫ | Castle Nut | 912954 | 912954 | 1 | ㉔ | Dust Cap | 909905 | 1604 | 1 |

**** See Section 300-Blades: Pages 16 & 17 for Coupler Options • * See Section 200-40 for Hub & Spindle Breakdowns**

Complete part numbers come with leg, spindle, blade, and other associated parts (above). Coulters are for moderate to heavy soil applications. Legs are made from heavy duty plow steel. ♦ Please order clamps separately. ♦ For different blade size or thickness, please specify when ordering.

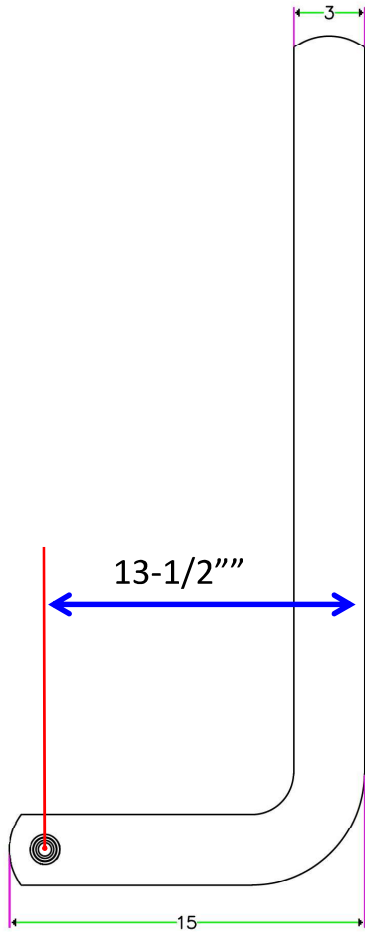
25 Complete Assembly

See Pg. 200-304 & 305 for Complete Part Numbers

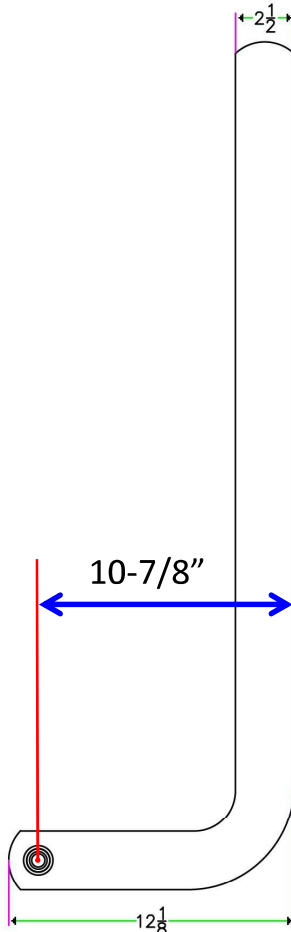


Assembly is Either
Left or Right Hand
Left Hand Shown

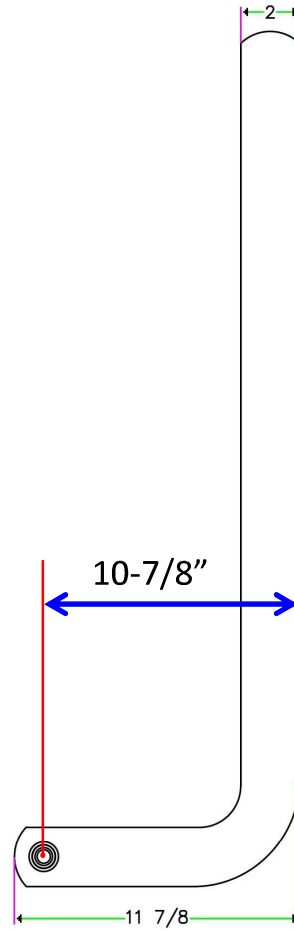
Curved Legs for Coulter Assemblies



G1LL-300
1" X 3"



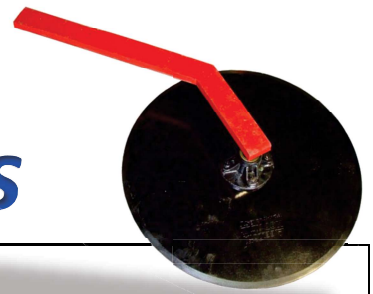
G1LL-340
3/4" X 2-1/2"



G1LL-580
5/8" X 2"



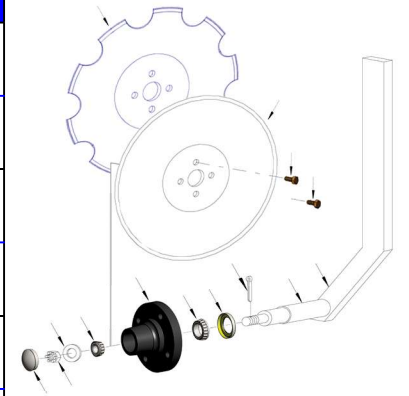
45° Angle Leg Coulter Assemblies



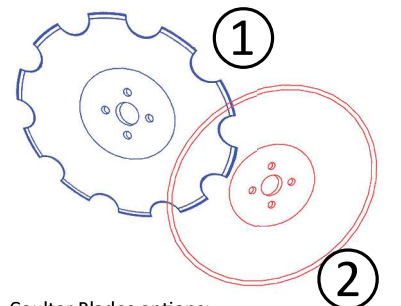
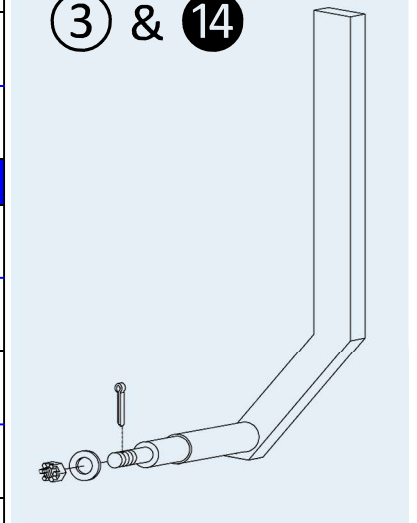
45° Angle Leg Coulter Blade Series Right & Left Hand Legs: (Suffix) L = Left Hand ∅ R = Right Hand

| COMPLETE PART NUMBER ②⑤ | DESCRIPTION | LEG W/SPINDLE ONLY (Less Hub & Blade) ③ & ⑭ | SPINDLE PART NUMBER | HUB PART NUMBER | BLADE DIAMETER | BLADE PART NUMBER |
|-------------------------------|---------------------------|--|---------------------|-----------------|----------------|-------------------|
| 5/8" x 2" MATERIAL | | | | | | |
| G58X-S16L | 5/8" x 2" x 30" Left | G633XL-580 | GQ-633S | GQ-633H | 16" | DSR1645 |
| G58X-S16R | 5/8" x 2" x 30" Right | G633XR-580 | | | | DSR1645 |
| G58X-S18L | 5/8" x 2" x 30" Left | G633XL-580 | GQ-633S | GQ-633H | 18" | DSR1860 |
| G58X-S18R | 5/8" x 2" x 30" Right | G633XR-580 | | | | DSR1860 |
| G58X-S20L | 5/8" x 2" x 30" Left | G633XL-580 | GQ-633S | GQ-633H | 20" | DSR2050 |
| G58X-S20R | 5/8" x 2" x 30" Right | G633XR-580 | | | | DSR2050 |
| G58X-S22L | 5/8" x 2" x 30" Left | G633XL-580 | GQ-633S | GQ-633H | 22" | DSR2250 |
| G58X-S22R | 5/8" x 2" x 30" Right | G633XR-580 | | | | DSR2250 |
| 3/4" x 2-1/2" MATERIAL | | | | | | |
| G34X-S16L | 3/4" x 2-1/2" x 30" Left | G633XL-340 | GQ-633S | GQ-633H | 16" | DSR1645 |
| G34X-S16R | 3/4" x 2-1/2" x 30" Right | G633XR-340 | | | | DSR1645 |
| G34X-S18L | 3/4" x 2-1/2" x 30" Left | G633XL-340 | GQ-633S | GQ-633H | 18" | DSR1860 |
| G34X-S18R | 3/4" x 2-1/2" x 30" Right | G633XR-340 | | | | DSR1860 |
| G34X-S20L | 3/4" x 2-1/2" x 30" Left | G633XL-340 | GQ-633S | GQ-633H | 20" | DSR2050 |
| G34X-S20R | 3/4" x 2-1/2" x 30" Right | G633XR-340 | | | | DSR2050 |
| G34X-S22L | 3/4" x 2-1/2" x 30" Left | G633XL-340 | GQ-633S | GQ-633H | 22" | DSR2260 |
| G34X-S22R | 3/4" x 2-1/2" x 30" Right | G633XR-340 | | | | DSR2260 |
| G34X-S24L | 3/4" x 2-1/2" x 30" Left | G633XL-340 | GQ-633S | GQ-633H | 24" | DSR2460 |
| G34X-S24R | 3/4" x 2-1/2" x 30" Right | G633XR-340 | | | | DSR2460 |

②⑤



③ & ⑭



Coulter Blades options:
① = Notched and ② = Smooth

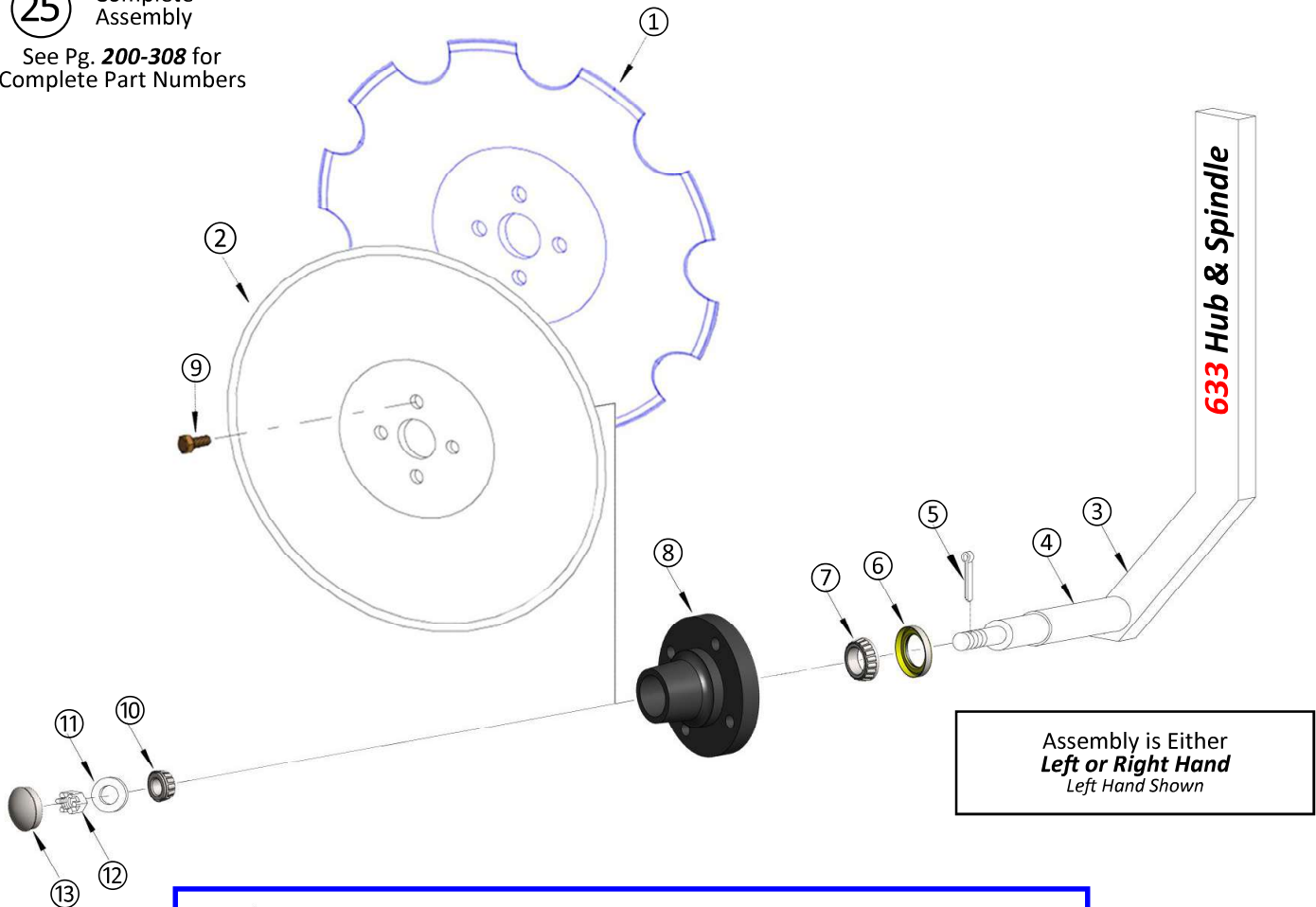
45° Angle Leg Coultter Blade Series with 633 Hub & Spindle Component Parts List

| REF. # | DESCRIPTION | PART NUMBER | INDUSTRY STANDARD # | REQ. PCS. | REF. # | DESCRIPTION | PART NUMBER | INDUSTRY STANDARD # | REQ. PCS. |
|--------|--------------------------------------|--------------------------------|---------------------|-----------|--------|---------------|-------------|---------------------|-----------|
| ① | Notched Coultter Blade | ** Prefix: DNR | | 1 | ⑧ | Hub Complete* | GQ-633H | 280500 | 1 |
| ② | Smooth Coultter Blade | ** | | 1 | ⑨ | Lug Bolt | 943549 | 943549 | 4 |
| ③ | 45° Angle Leg with 633 Hub & Spindle | G633XL/XR-580 G633XL/XR-340 | | 1 | ⑩ | Outer Bearing | 910260 | LM11949 | 1 |
| ④ | Spindle Complete | GQ-633S | 280741 | 1 | ⑪ | Flat Washer | 913608 | 913608 | 1 |
| ⑤ | Cotter Pin | 905936 | 905936 | 1 | ⑫ | Castle Nut | 912954 | 912954 | 1 |
| ⑥ | Seal | 906296 | 14975 | 1 | ⑬ | Dust Cap | 909911A | 1527 | 1 |
| ⑦ | Inner Bearing | 910259 | LM67048 | 1 | | | | | |

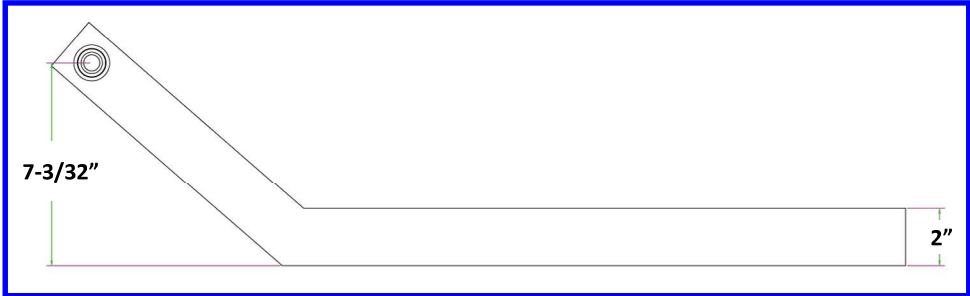
** See Section 300-Blades: Pages 16 & 17 for Coultter Options • * See Section 200-40 for Hub & Spindle Breakdowns

Complete part numbers come with leg, spindle, blade, and other associated parts (above). Coultters are for moderate to heavy soil applications. Legs are made from heavy duty plow steel. ♦ Please order clamps separately. ♦ For different blade size or thickness, please specify when ordering.

②⑤ Complete Assembly
See Pg. 200-308 for Complete Part Numbers



Assembly is Either
Left or Right Hand
Left Hand Shown



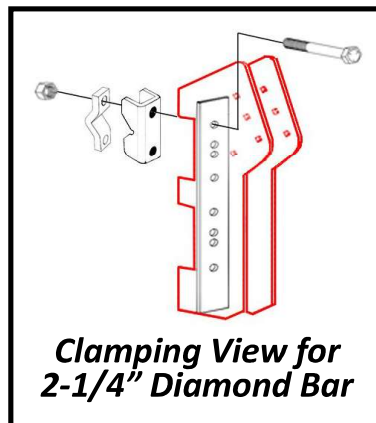
Stabilizer Coulters



| NORWEST PART NUMBER | DESCRIPTION | COULTER BLADE SIZE |
|---------------------|---|--------------------|
| G3V-10FB | Norwest Single Leg Style Vine Cutter/Stabilizer Coulters for all Flat Bars & 2-1/4" Diamond Bars. <i>Mounting Hardware Sold Separately Please Specify Bar Size When Ordering</i> | 20" |
| | | 24" |
| | | 26" |
| | | 28" |

| REF. # | Description | Norwest Part # | INDUSTRY STANDARD # | REQ. PCS | REF. # | Description | Norwest Part # | REQ. PCS |
|--------|------------------------|--|---------------------|----------|---|---|----------------|----------|
| ① | 1" x 3" Leg | G3VL-100 | | 1 | ⑩ | 1/2" Hex Nut | FHN12 | 5 |
| ② | 633 Spindle Complete* | GQ-633S | 280741 | 1 | ⑪ | Mounting Body | G4B-200 | 1 |
| ③ | Seal | 906296 | 14975 | 1 | ⑫ | 3/4" Pipe Brace for Mounting Body (3-1/2" Long) | G4V-BRACE | 1 |
| ④ | Inner Bearing | 910259 | LM67048 | 1 | ⑬ | 1/2" x 5" Gr. 5 Hex Bolt | FHB12500G5 | 1 |
| ⑤ | 633 Hub Complete* | GQ-633H | 280500 | 1 | ⑭ | Trunnion Bracket | G4V-312 | 2 |
| ⑥ | Lug Bolt | 943549 | 943549 | 4 | ⑮ | 1/2" x 1-1/2" Gr. 5 Carriage Bolt | FCB12150G5 | 4 |
| ⑦ | Outer Bearing | 910260 | LM11949 | 1 | ⑯ | Vine Cutter Rod | G4V-317 | 1 |
| ⑧ | Flat Washer | 913608 | 913608 | 1 | ⑰ | Cylinder Pin | 10202 | 1 |
| ⑨ | Castle Nut | 912954 | 912954 | 1 | ⑱ | Trip Spring (19" Long) | 16-35814L | 1 |
| ⑩ | Cotter Pin | 905936 | 905936 | 1 | ⑲ | Cap for Trip Spring | G4V-318 | 1 |
| ⑪ | Dust Cap | 909911A (Low Profile) | 1527 | 1 | ⑳ | Trunnion | G4V-811 | 1 |
| ⑫ | Smooth Coulters Blade | DSR2050-00; DSR2460-00; DSR2680-00; DSRT2875-00 | | 1 | ㉑ | 1" Flat Washer | FFW100 | 2 |
| ⑬ | 1" x 7" Gr. 5 Hex Bolt | FHB100700G5 | | 1 | ㉒ | Rubber Buffer | G4V-315 | 1 |
| ⑭ | 1" Nylok Hex Nut | FYHN100 | | 2 | ㉓ | 1" Jam Nut | FJN100 | 1 |
| ⑮ | 1/2" Lock Washer | FLW12 | | 5 | G3V-10FB BREAKDOWN ON PAGE 200-311 | | | |

** See Section 300-Blades: Pages 16 & 17 for Coulters Options • * See Section 200-40 for Hub & Spindle Breakdowns

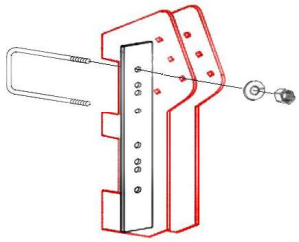


Clamping View for 2-1/4" Diamond Bar

APPLICATIONS UTILIZE 20" to 30" RIGID COULTERS.
PLEASE SPECIFY BLADE SIZE WHEN ORDERING.

WHEN ORDERING FOR USE WITH A 2-1/4" DIAMOND BAR:
706 BAR CAPS, 342S STRAPS & FHB78700G5 (7/8" X 7" HEX BOLTS)
ARE USED TO MOUNT TO BAR.

U-BOLTS, FASTENERS, BAR CAPS & STRAPS ARE SOLD SEPARATELY FOR BAR SIZE.



Clamping View for Flat Bar

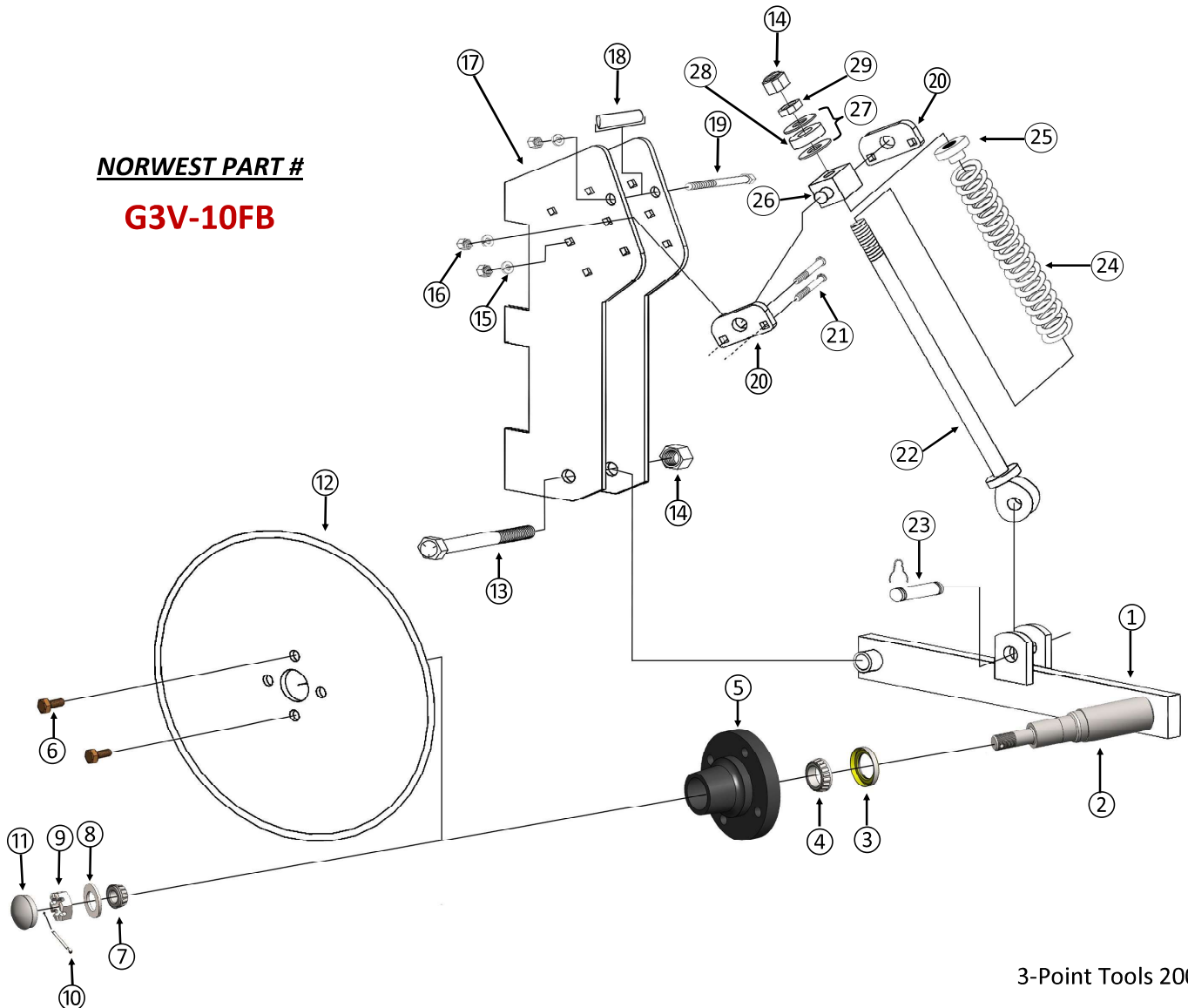
APPLICATIONS UTILIZE 20" to 30" RIGID COULTERS.
PLEASE SPECIFY BLADE SIZE WHEN ORDERING.

WHEN ORDERING FOR USE WITH A FLAT BAR:
Please give the **Vertical** (↕) measurement, then **Horizontal** (↔) measurement.

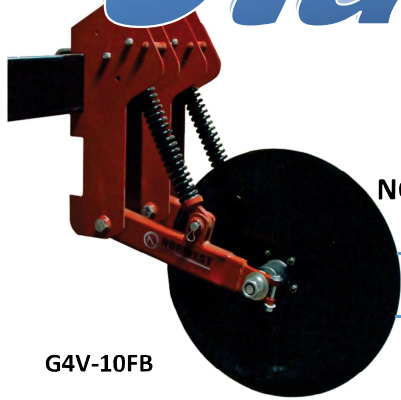
U-BOLTS, FASTENERS, BAR CAPS & STRAPS ARE SOLD SEPARATELY FOR BAR SIZE.

| TOOL BAR SIZE | | U-BOLT | HEX BOLT | LOCK WASHER | NUT | STRAP |
|---------------|------------|------------|-------------|-------------|-------|----------------|
| VERTICAL | HORIZONTAL | | | | | |
| 4" | 4" | FUB4060-78 | N/A | FLW78 | FHN78 | N/A |
| 4" | 6" | N/A | FHB78900G5 | FLW78 | FHN78 | 40S |
| 5" | 7" | N/A | FHB781000G5 | FLW78 | FHN78 | 50S |
| 6" | 6" | N/A | FHB78900G5 | FLW78 | FHN78 | 60S |
| 6" | 8" | N/A | FHB78900G5 | FLW78 | FHN78 | 60S |
| 7" | 5" | 16-00204 | N/A | FLW78 | FHN78 | N/A |
| 7" | 7" | 16-03204 | N/A | FLW78 | FHN78 | N/A |
| 2-1/4" ◊ BAR | | N/A | FHB78700G5 | FLW78 | FHN78 | 706-Cap / 342S |

NORWEST PART #
G3V-10FB

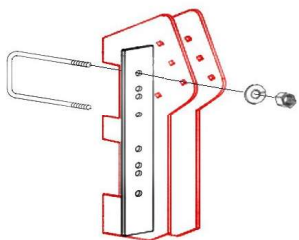


Stabilizer Coulters



| NORWEST PART NUMBER | DESCRIPTION | COULTER BLADE SIZE |
|---------------------|--|--------------------|
| G4V-10FB | Norwest Heavy Duty Yoke Style Vine Cutter/Stabilizer Coulters for all Flat Bars. | 28" |
| G4V-10FB30 | <i>Mounting Hardware Sold Separately</i> | 30" |

| REF. # | Description | Norwest Part # | INDUSTRY STANDARD # | REQ. PCS | REF. # | Description | Norwest Part # | REQ. PCS |
|--|--|--------------------------|---------------------|----------|---|---|----------------|----------|
| ① | 1" x 3" Left & Right Hand Leg | GVL-100 | | 2 | ⑩ | Mounting Body | G4B-200 | 2 |
| ② | 1/2" x 4" Gr. 5 Hex Bolt | FHB12400G5 | | 2 | ⑪ | 3/4" Pipe Brace for Mounting Body (3-1/2" Long) | G4V-BRACE | 2 |
| ③ | 1-3/8" Hex Nut | FHN138 | | 2 | ⑫ | 1/2" x 5" Gr. 5 Hex Bolt | FHB12500G5 | 2 |
| ④ | 1-3/8" Lock Washer | FLW138 | | 2 | ⑬ | 1" x 7" Gr. 5 Hex Bolt | FHB100700G5 | 2 |
| ⑤ | 1-3/8" Flat Washer | FFW138 | | 6 | ⑭ | Trunnion Bracket | G4V-312 | 4 |
| ⑥ | 1-3/8" Jam Nut | FJN138 | | 4 | ⑮ | 1/2" x 1-1/2" Gr. 5 Carriage Bolt | FCB12150G5 | 8 |
| ⑦ | Inner/Outer Seal | 906295 | 17617 | 2 | ⑯ | Vine Cutter Rod | G4V-317 | 2 |
| ⑧ | Inner/Outer Bearing | 910270 | 14136A | 2 | ⑰ | Cylinder Pin | 10202 | 2 |
| ⑨ | G4 Spindle (1-3/8" Dia.) | G4-SP1N | 281370 | 1 | ⑱ | Trip Spring (19" Long) | 16-35814L | 2 |
| ⑩ | G4 Hub Complete* (5" Bolt on 5-1/2" Bolt Center) | G4-HUB | 281088 | 1 | ⑲ | Cap for Trip Spring | G4V-318 | 2 |
| ⑪ | Smooth Coulters Blade | DSRT2875-00; DSRT3075-00 | | 1 | ⑳ | Trunnion | G4V-811 | 2 |
| ⑫ | Lug Nuts | 912919 | 912919 | 5 | ㉑ | 1" Flat Washer | FFW100 | 4 |
| ⑬ | 1" Nylok Hex Nut | FYHN100 | | 4 | ㉒ | Rubber Buffer | G4V-315 | 2 |
| ⑭ | 1/2" Lock Washer | FLW12 | | 12 | ㉓ | 1" Jam Nut | FJN100 | 2 |
| ⑮ | 1/2" Hex Nut | FHN12 | | 12 | G4V-10FB BREAKDOWN ON PAGE 200-313 | | | |
| ** See Section 300-Blades: Pages 16 & 17 for Coulters Options • * See Section 200-40 for Hub & Spindle Breakdowns | | | | | | | | |



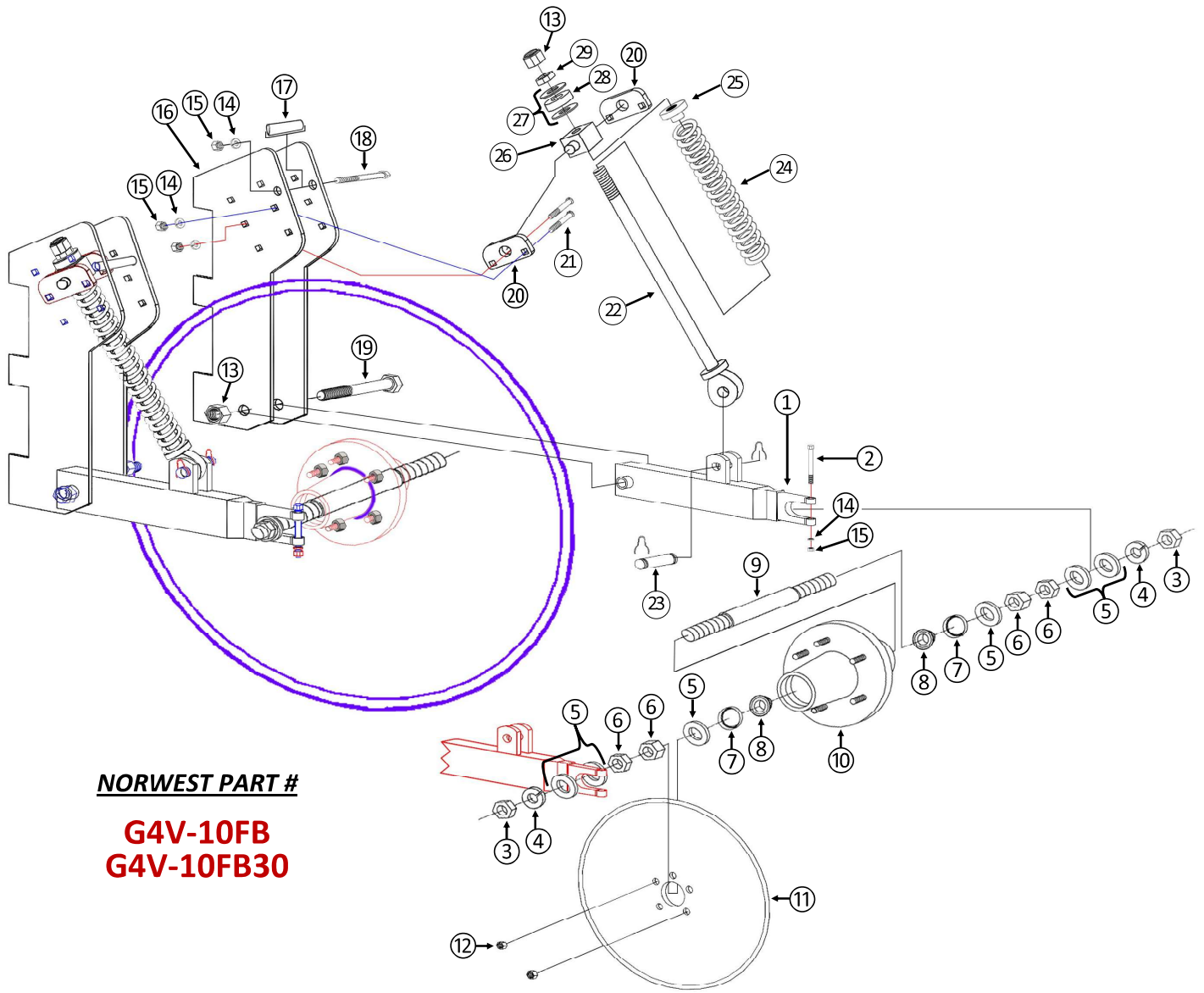
Clamping View for Flat Bar

APPLICATIONS UTILIZE 28" and 30" RIGID COULTERS.
PLEASE SPECIFY BLADE SIZE WHEN ORDERING.

WHEN ORDERING FOR USE WITH A FLAT BAR:
Please give the **Vertical** (↕) measurement, then **Horizontal** (↔) measurement.

U-BOLTS, FASTENERS, BAR CAPS & STRAPS ARE SOLD SEPARATELY FOR BAR SIZE.

www.norwest-mfg.com

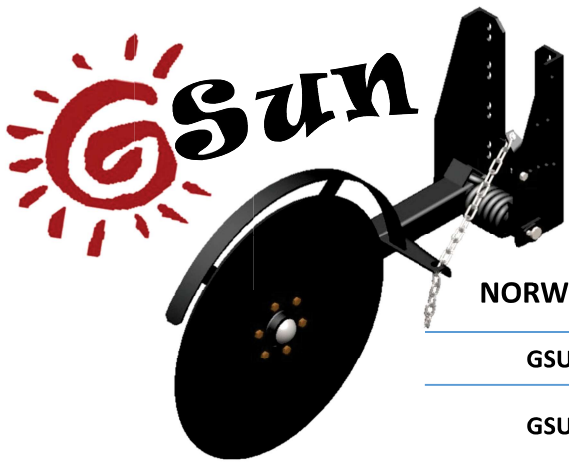


NORWEST PART #

**G4V-10FB
G4V-10FB30**

| TOOL BAR SIZE | | U-BOLT | HEX BOLT | LOCK WASHER | NUT | STRAP |
|---------------|------------|------------|-------------|-------------|-------|-------|
| VERTICAL | HORIZONTAL | | | | | |
| 4" | 4" | FUB4060-78 | N/A | FLW78 | FHN78 | N/A |
| 4" | 6" | N/A | FHB78900G5 | FLW78 | FHN78 | 40S |
| 5" | 7" | N/A | FHB781000G5 | FLW78 | FHN78 | 50S |
| 6" | 6" | N/A | FHB78900G5 | FLW78 | FHN78 | 60S |
| 6" | 8" | N/A | FHB78900G5 | FLW78 | FHN78 | 60S |
| 7" | 5" | 16-00204 | N/A | FLW78 | FHN78 | N/A |
| 7" | 7" | 16-03204 | N/A | FLW78 | FHN78 | N/A |

www.norwest-mfg.com



Stabilizer Coulters

| NORWEST PART | DESCRIPTION | COULTER BLADE SIZE |
|--------------|--|--------------------|
| GSUN-S28 | Norwest Guidance Coulters with 888 Hub & Spindle and Heavy Duty Tension Spring <i>Mounting Hardware Sold Separately</i> | 28" |
| GSUN-S30 | | 30" |

| Reference Number | Description | Norwest Part Number | INDUSTRY STANDARD NUMBER | Required Pcs. |
|------------------|--|---------------------|--------------------------|---------------|
| ① | Clamp Bracket Less U-Bolts | GSUN-200 | | 1 |
| ② | Chain Clevis | 5/16" CLEVIS | | 1 |
| ③ | 1/2" x 1-1/2" Gr. 5 Hex Bolt | FHB12150G5 | | 1 |
| ④ | 1/2" Lock Washer | FLW12 | | 1 |
| ⑤ | 1/2" Hex Nut | FHN12 | | 1 |
| ⑥ | Pivot Shaft | GSUN-100S | | 1 |
| ⑦ | 1/4" Lock Washer | FLW14 | | 1 |
| ⑧ | 1/4" x 1" Hex Bolt Gr. 5 | FHB14100G5 | | 1 |
| ⑨ | Adjustable Tension Arm | GSUN-TA | | 1 |
| ⑩ | 5/16" Grade 70 Chain | 5/16" CHAIN | | 1.75 FT. |
| ⑪ | Torsion Spring | GSUN-814 | | 1 |
| ⑫ | Replaceable Nylatron or MRP Bushing | Z-NYLATRON | | 2 |
| ⑬ | Vine Cutter Leg | GSUN-100 | | 1 |
| ⑭ | 1-3/4" x 13" Spindle Complete* | GQ-888S | 280743 | 1 |
| ⑮ | Seal for 888 Hub | 906284 | 16289 | 1 |
| ⑯ | Inner Bearing for 888 Hub | 910264 | JL69349 | 1 |
| ⑰ | 6 on 6" Bolt Center Hub Complete* | GQ-888H | 280550 | 1 |
| ⑱ | Outer Bearing for 888 Hub | 910259 | LM67048 | 1 |
| ⑲ | Flat Washer | 913683 | 913683 | 1 |
| ⑳ | Castle Nut | 912952 | 912952 | 1 |
| ㉑ | Cotter Pin | 905936 | 905936 | 1 |
| ㉒ | Dust Cap for 888 Hub | 909905 | 1604 | 1 |
| ㉓ | Smooth Coulters Blade 28" x7.5mm <i>(Complete Part #: GSUN-S28)</i> | DSRT2875-00 | | 1 |
| ㉔ | Smooth Coulters Blade 30" x7.5mm | DSRT3075-00 | | |
| ㉕ | Lug Bolts for 888 Hub | 943549 | | 6 |

OPTIONAL HYDRAULIC LIFT ATTACHMENT FOR GSUN UNITS
BRACKETS ONLY: Hydraulic Ram/Hoses not Included or Available

| | | | | |
|----------|--|-----------|--|---|
| A | Upper hydraulic arm for GSUN lift assist - | GSUN-HYD1 | | 1 |
| B | Lower hydraulic arm for GSUN lift assist | GSUN-HYD2 | | 1 |

GSUN-S28 & GSUN-S30 BREAKDOWN ON PAGE 200-315

**** See Section 300-Blades for Coulters Options • * See Section 200-40 for Hub & Spindle Breakdowns**

| TOOL BAR SIZE | | U-BOLT | HEX BOLT | LOCK WASHER | NUT | STRAP |
|---------------|------------|------------|------------|-------------|-------|------------------------------|
| VERTICAL | HORIZONTAL | | | | | |
| 4" | 4" | FUB4060-58 | N/A | FLW58 | FHN58 | N/A |
| 4" | 6" | FUB4090-58 | N/A | FLW58 | FHN58 | N/A |
| 7" | 7" | FUB7010-58 | N/A | FLW58 | FHN58 | N/A |
| 2-1/4" Ø BAR | | N/A | FHB58600G5 | FLW58 | FHN58 | 107040 - Cap 582S - Strap |

Optional Hydraulic Lift Attachment Arms for GSUN Units.

*Arms Only:
Ram, Pins &
Hoses not
Included or
Available.*





N347-4SL Shown

Spring Coultter

| NORWEST PART # | DESCRIPTION | Leg |
|----------------|---|----------|
| N347-4SL | Norwest Spring Coultter with Straight Leg; Less Clamp | NW343-21 |
| N347-4OL | Norwest Spring Coultter with Offset Leg; Less Clamp | NW345-23 |
| N347-4SL1x3 | Norwest Spring Coultter with 1" x 3" x 34" Straight Shank | NW345-24 |

Mounting Hardware Sold Separately Please Specify Bar Size When Ordering

| Reference Number | Description | Norwest Part Number | Required Pcs. |
|------------------|---|--|---------------|
| ① | 1-1/2" Straight Coultter Shaft (Round) | NW343-21 | 1 |
| ② | 1-1/2" Offset Coultter Shaft (Round) | NW345-23 | |
| ③ | 1" x 3" x 34" Straight Shank w/ 1-1/2" Round for Spring Coultter (Leg is an Option for Norwest Spring Coultter: Not a Stock Item) | NW343-24 | 1 |
| ④ | Norwest Hinge Casting | NW347-06 | 1 |
| ⑤ | 1-1/4" x 10 Gauge SAE Flat Washer | FFW125SAE | 1 |
| ⑥ | Smooth Rigid/Fluted Blade | DSS2045-00 | 1 |
| ⑦ | Lug Bolt for 633 Hub | 943549 | 4 |
| ⑧ | 3/4" Nylok | FYHN34 | 1 |
| ⑨ | Steel Pull Spring Bushing (Outer) | NW347-08 | 1 |
| ⑩ | Cultivator Compression Spring for Reset Spring Units | 16-35814 | 1 |
| ⑪ | Steel Pull Spring Bushing (Inner) | NW347-08A | 1 |
| ⑫ | 1-1/4", 18 Gauge Flat Washer | NWFTS2028 | 1 |
| ⑬ | NYLATRON or MRP Bushing | Z-NYLATRON | 2 |
| ⑭ | 633 Hub Complete. 1500# Capacity w/ 4 Bolt on 5" Bolt Centers & 3.62" Pilot Hole | GQ-633H <i>Industry Standard # 280500</i> | 1 |
| ⑮ | 633 Spindle Complete for GQ-633H 1-5/8" Diameter | GQ-633S <i>Industry Standard # 280741</i> | 1 |
| ⑯ | Swing arm w/ GQ-633S Spindle; Less Hub | NW347-4 | 1 |
| ⑰ | 3/4" Hex Nut | FHN34 | 1 |
| ⑱ | 3/4" Lock Washer | FLW34 | 1 |
| ⑲ | 3/16" x 2" Cotter Pin for NW347-4 (HH60110) | FPC505-12 | 1 |
| ⑳ | Locking Collar - Cast | NW347-18 | 1 |
| ㉑ | 5/8" x 1-1/4" Square Head Set Screw | FSHSS58125 | 1 |
| ㉒ | Spring Coultter Tension Rod | NW347-15 | 1 |
| ㉓ | 3/4" Hex Crimp Lock Nut for Spring Coultter | FHLN34 | 2 |
| ㉔ | 3/4" Flat Washer SAE for Spring Coultter | FFW34SAE | 2 |
| ㉕ | 3/4" x 3" Hex Bolt - Grade 5 | FHB34300G5 | 1 |
| ㉖ | 5/16" x 3" for Spring Coultter (61296) | FPR0612-22 | 1 |
| ㉗ | 5/16" x 3" Cotter Pin (60151) | FPC510-20 | 1 |

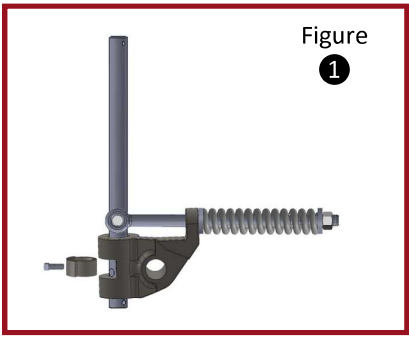
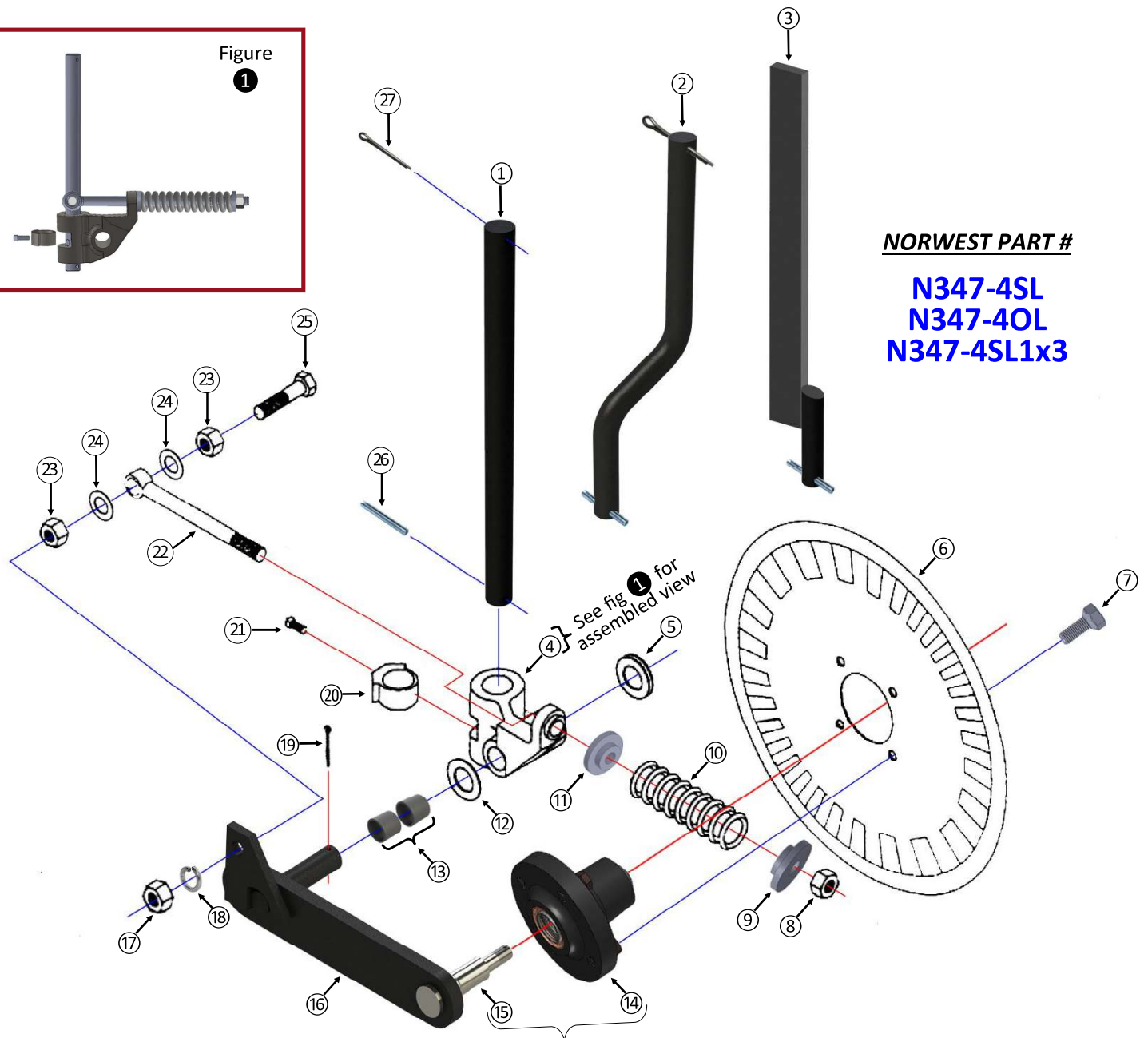


Figure 1



NORWEST PART #
N347-4SL
N347-4OL
N347-4SL1x3

(See fig. 2 for Hub & Spindle breakdown)

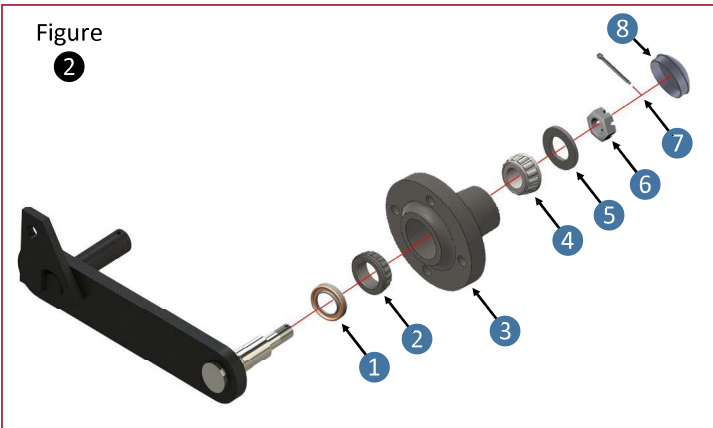



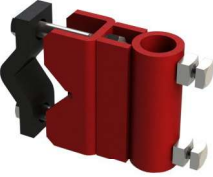
Figure 2

| Reference Number | Description | Norwest Part # | Industry Standard # | Required Pcs. |
|------------------|------------------------------------|----------------|---------------------|---------------|
| 1 | Triple Lip Seal for Spring Coupler | NW40-3 | POS1502339UB-S (P) | 1 |
| 2 | Inner Bearing | 910259 | LM67048 | 1 |
| 3 | Hub Complete* | GQ-633H | 280500 | 1 |
| 4 | Outer Bearing | 910260 | LM11949 | 1 |
| 5 | Flat Washer | 913608 | 913608 | 1 |
| 6 | Castle Nut | 912954 | 912954 | 1 |
| 7 | Cotter Pin | 905936 | 905936 | 1 |
| 8 | Dust Cap | 909911A | 1527 | 1 |

* See Section 200-40 for more Hub & Spindle Breakdowns



Spring Coulters

| PART | NORWEST PART NUMBER | FOR USE WITH SHANK (S) | TOOL BAR SIZE |
|---|---------------------|--|---------------------|
|  | NW347-44 | NW343-21 1-1/2" O SHAFT NW345-23 1-1/2" O SHAFT | 4" X 4" TOOL BAR |
|  | NW347-D | NW343-21 1-1/2" O SHAFT NW345-23 1-1/2" O SHAFT | 2-1/4" ◇ BAR |

ALSO AVAILABLE for NORWEST SPRING COULTER ASSEMBLIES



| NORWEST PART NUMBER | DESCRIPTION |
|---------------------|---|
| COI11N393 | Bolt-On Knife Injection Bracket Assembly Only <i>(Injector Knife not included)</i> Unit will accept either front or back swept injector knives Can be used in both Dry & Liquid Applications |

*N347-40L with COI11N393 and
KCN140 injector knife

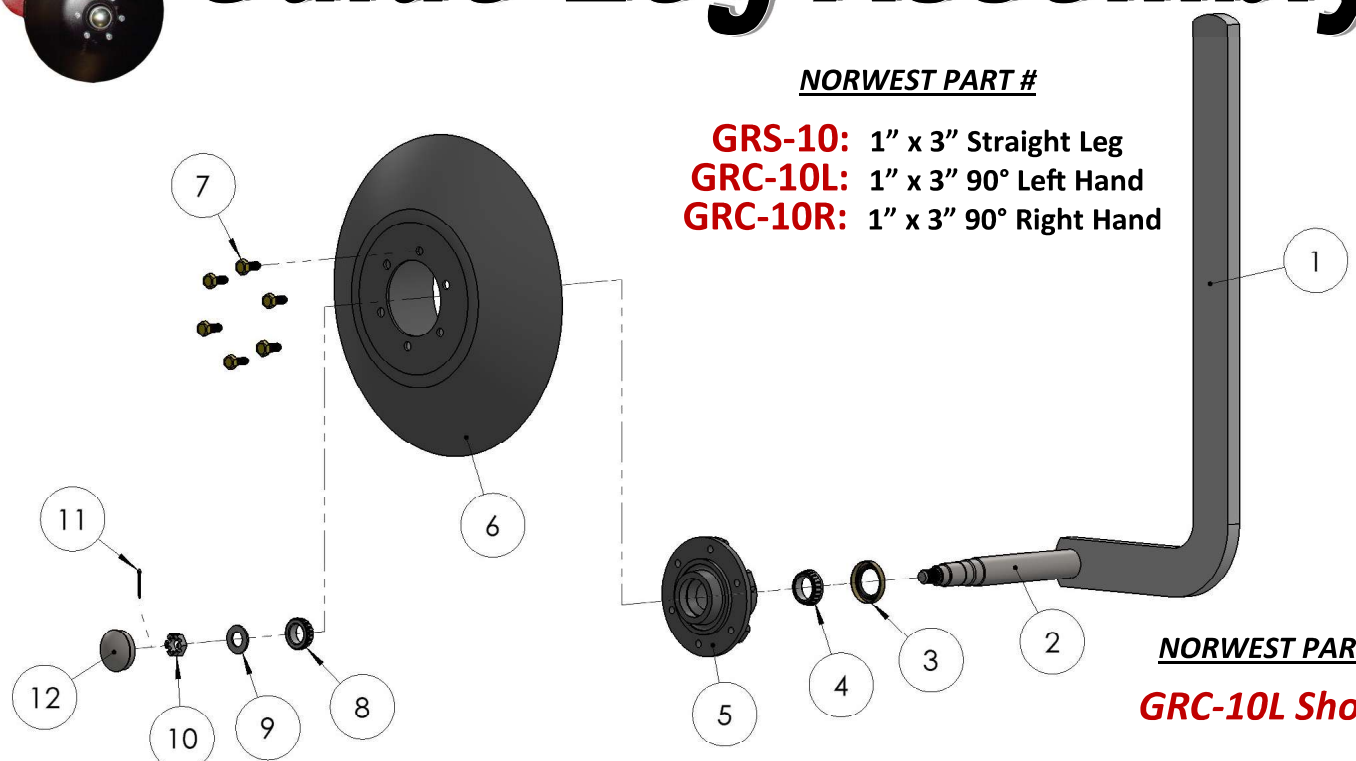


FOR MORE INJECTOR KNIFE OPTIONS

CHECK OUT

SECTION 100-TILLAGE

Welded Steel Wheel Guide Leg Assembly



NORWEST PART #

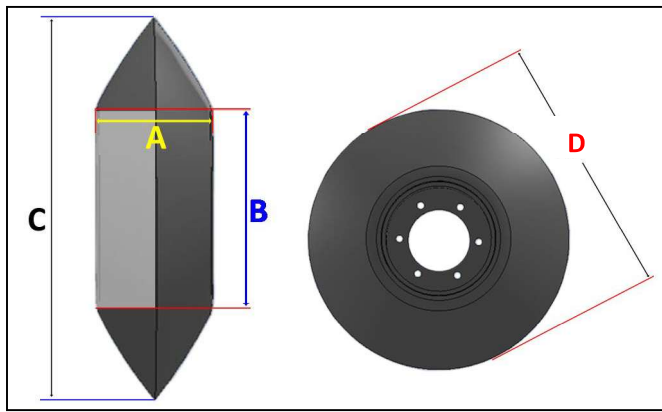
- GRS-10:** 1" x 3" Straight Leg
- GRC-10L:** 1" x 3" 90° Left Hand
- GRC-10R:** 1" x 3" 90° Right Hand

NORWEST PART #

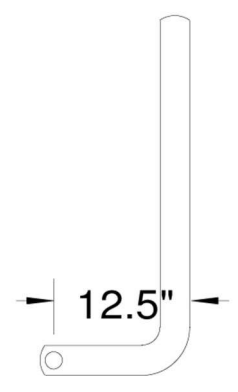
GRC-10L Shown

| REF. # | Description | Norwest Part # | Industry Standard # | REQ. PCS. | REF. # | Description | Norwest Part # | Industry Standard # | REQ. PCS. |
|--------|---|----------------|---------------------|-----------|--------|---------------|----------------|---------------------|-----------|
| ① | 1" x 3" Curved Left Hand Leg | GRCLL-100 | | 1 | ⑦ | Lug Bolt | 943549 | 943549 | 6 |
| | 1" x 3" Curved Right Hand Leg | GRCLR-100 | | | ⑧ | Outer Bearing | 910259 | LM67048 | 1 |
| ② | 1-3/4" Spindle for Ace Roller Harrow: Complete* | GQ-888S | 280743 | 1 | ⑨ | Flat Washer | 913683 | 913683 | 1 |
| ③ | Seal | 906284 | 16289 | 1 | ⑩ | Castle Nut | 912952 | 912952 | 1 |
| ④ | Inner Bearing | 910264 | JL69349 | 1 | ⑪ | Cotter Pin | 905936 | 905936 | 1 |
| ⑤ | Hub Complete* | GQ-888H | 280550 | 1 | ⑫ | Dust Cap | 909911A | 1604 | 1 |
| ⑥ | 6 Bolt Welded Steel Wheel | GRCW-20 | | 1 | | | | | |

* See Section 200-40 for Hub & Spindle Breakdowns



| Welded Steel Wheel | | | |
|--|----|--------------------------------|-----|
| A | B | C | D |
| 5-7/8" | 9" | 20" | 20" |
| Norwest Part # | | Description | |
| GRCW-20 | | Blade Part Number: ADG2014P | |
| GRCW-20 is constructed with two 20" cone blades welded together. One 1/4" x 9" O.D. x 5-7/8" I.D. CRS middle pipe for axel support and strength. | | | |



Solid V-Rubber Guide Wheel Assemblies

V-RUBBER TIRE SERIES

Right & Left Hand Legs: (Suffix) L = Left Hand ◊ R = Right Hand

| COMPLETE PART NUMBER | DESCRIPTION | LEG W/SPINDLE ONLY (Less Hub & Blade) | SPINDLE PART NUMBER | HUB PART NUMBER |
|-------------------------------------|--|---|---------------------|-----------------|
| 3/4" x 2-1/2" MATERIAL | | | | |
| VG34-420L | 3/4" x 2-1/2" x 36" Left (Curved Leg) | G633LL-340 | GQ-633S | GQ-633H |
| VG34-420R | 3/4" x 2-1/2" x 36" Right (Curved Leg) | G633LR-340 | | |
| 1" x 3" MATERIAL | | | | |
| VG1-420L | 1" x 3" x 36" Left (Curved Leg) | G633LL-300 | GQ-633S | GQ-633H |
| VG1-420R | 1" x 3" x 36" Right (Curved Leg) | G633LR-300 | | |
| VG1-420 | 1" x 3" x 36" (Straight Leg) | G633SL-300 | GQ-633S | GQ-633H |
| V-RUBBER TIRE ASSEMBLY PARTS | | | | |
| COMPLETE PART # | DESCRIPTION | PHOTO | | |
| VA420-75 | 4" x 20" V-Tread Tire & Wheel (Complete Assembly) |  | | |
| VT420 | 4" x 20" Solid V-Rubber Tire (Tire Only) |  | | |
| VW420-75 | 4" x 16" x 11" Rim Half for Bolt on Hub (Rim Only - 1/2 Only) |  | | |



①

G633LL-340
&
G633LR-340



①

G633LL-300
&
G633LR-300



①

G633SL-300
Left or Right Hand



LOOKING FOR GAUGE WHEELS?

Check out Section 200-50

www.norwest-mfg.com

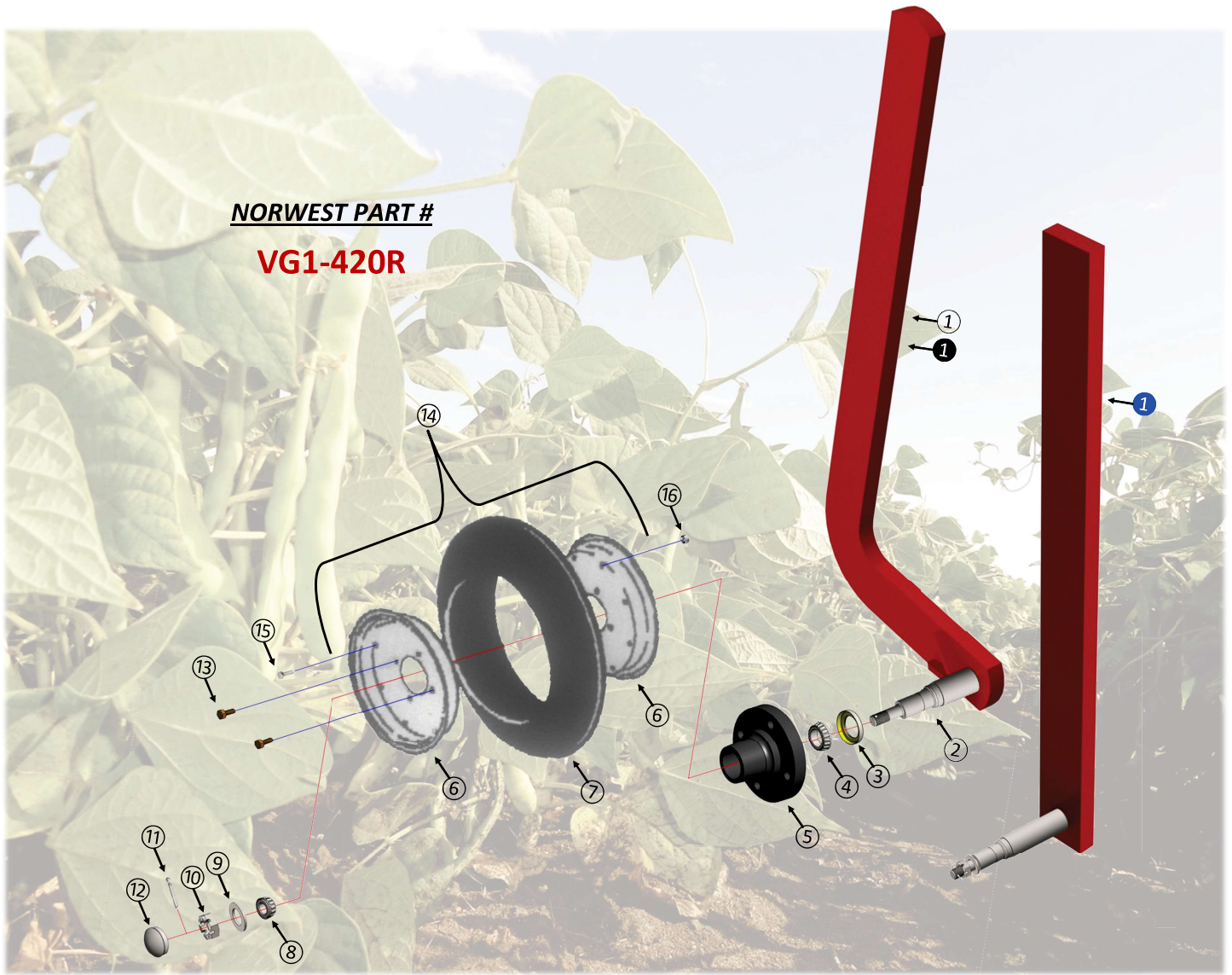


Proud Member
Since 1998



NORWEST PART #

VG1-420R



| Reference Number | Description | Norwest Part Number | Industry Standard Number | Required Pcs. |
|---|---|---------------------|--------------------------|---------------|
| ① | 3/4" x 2-1/2" x 36" Curved Guide Wheel Leg: <i>Left Hand</i> | G633LL-340 | | 1 |
| | 3/4" x 2-1/2" x 36" Curved Guide Wheel Leg: <i>Right Hand</i> | G633LR-340 | | |
| ① | 1" x 3" x 36" Curved Guide Wheel Leg: <i>Left Hand</i> | G633LL-300 | | 1 |
| | 1" x 3" x 36" Curved Guide Wheel Leg: <i>Right Hand</i> | G633LR-300 | | |
| ① | 1" x 3" x 36" Straight Guide Wheel Leg: <i>Left or Right Hand</i> | G633SL-300 | | 1 |
| ② | Spindle Complete* | GQ-633S | 280741 | 1 |
| ③ | Seal | 906296 | 14975 | 1 |
| ④ | Inner Bearing | 910259 | LM67048 | 1 |
| ⑤ | Hub Complete* | GQ-633H | 280500 | 1 |
| ⑥ | 4" x 16" x 11" Rim Half for Bolt on Hub (1/2 Rim Only) | VW420-75 | | 2 |
| ⑦ | 4" x 20" Solid V-Rubber Tire (Tire Only) | VT420 | | 1 |
| ⑧ | Outer Bearing | 910260 | LM11949 | 1 |
| ⑨ | Flat Washer | 913608 | 913608 | 1 |
| ⑩ | Castle Nut | 912954 | 912954 | 1 |
| ⑪ | Cotter Pin | 905936 | 905936 | 1 |
| ⑫ | Dust Cap | 909911A | 1527 | 1 |
| ⑬ | Lug Bolt | 943549 | 943549 | 4 |
| ⑭ | 4" x 20" V-Tread Tire & Wheel (Complete Assembly) | VA420-75 | | 1 |
| ⑮ | 5/16" x 5/8" Hex Bolt for Rim Assembly | FHB5658G5 | | 8 |
| ⑯ | 5/16" Hex Crimp Lock Nut for Rim Assembly | FHLN56 | | 8 |
| * See Section 200-40 for Hub & Spindle Breakdowns | | | 3-Point Tools 200-321 | |

www.norwest-mfg.com